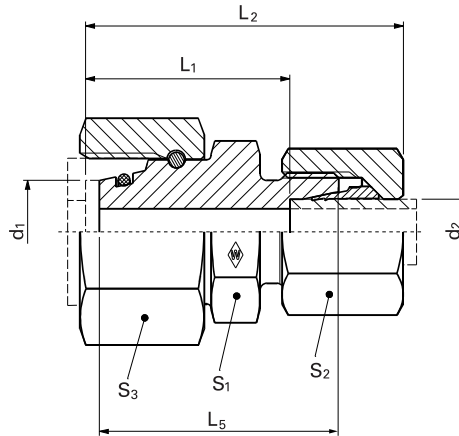


Reducer fittings

P-REDVDN ... / ...

P-REDVD ... / ...-1.4571

- L series
- With soft seal made from NBR** (e.g. Perbunan) for steel
- With soft seal made from FKM (e.g. Viton) for stainless steel (1.4571)



H

PN bar (psi)	d ₁	Tube outer diameter d ₂	Model	kg/100 pc.	L ₅	L ₂	L ₁	S ₁	S ₂	S ₃	*O-ring	WALPRO P-REDVDN...		
												Art. no.	Art. no.	
500 (7252)	8	6	P-REDVDN 8/6 L	4.5	29.0	37.5	23.5	12	14	17	6x1.5	WAL619570	WAL621368	
		6	P-REDVDN 10/6 L	5.4	31.0	39.0	25.0	14	14	19	8.5x1.5	WAL619120	WAL621369	
	10	8	P-REDVDN 10/8 L	6.0	31.0	39.5	25.0	17	17	19	8.5x1.5	WAL619121	WAL621370	
		6	P-REDVDN 12/6 L	6.0	31.0	39.0	25.0	14	14	19	8.5x1.5	WAL619122	WAL621371	
	12	8	P-REDVDN 12/8 L	7.5	31.0	39.5	25.0	17	17	22	10x1.5	WAL619123	WAL621372	
		10	P-REDVDN 12/10 L	7.5	32.0	40.5	26.0	19	19	22	10x1.5	WAL619124	WAL621373	
400 (5801)	15	6	P-REDVDN 15/6 L	10.3	34.5	42.5	28.5	22	17	27	12x2	WAL619125	WAL621374	
		8	P-REDVDN 15/8 L	11.9	34.5	43.0	28.5	17	17	27	12x2	WAL619126	WAL621375	
		10	P-REDVDN 15/10 L	11.5	35.5	44.0	29.5	19	19	27	12x2	WAL619127	WAL621376	
	18	12	P-REDVDN 15/12 L	12.0	35.5	43.5	29.5	22	22	27	12x2	WAL619128	WAL621377	
		6	P-REDVDN 18/6 L	12.4	33.5	42.0	28.0	24	14	32	15x2	WAL619129	WAL621378	
		8	P-REDVDN 18/8 L	13.5	33.5	42.5	28.0	17	17	32	15x2	WAL619130	WAL621379	
	22	10	P-REDVDN 18/10 L	13.4	34.5	43.5	29.0	24	19	32	15x2	WAL619131	WAL621380	
		12	P-REDVDN 18/12 L	15.2	34.5	43.0	29.0	22	22	32	15x2	WAL619132	WAL621381	
		15	P-REDVDN 18/15 L	17.2	35.5	45.0	30.0	27	27	32	15x2	WAL619133	WAL621382	
	250 (3626)	22	6	P-REDVDN 22/6 L	16.5	37.5	46.0	32.0	27	14	36	20x2	WAL619134	WAL621383
			8	P-REDVDN 22/8 L	17.5	37.5	46.5	32.0	17	17	36	20x2	WAL619135	WAL621384
			10	P-REDVDN 22/10 L	18.0	38.5	47.5	33.0	19	19	36	20x2	WAL619136	WAL621385
28		12	P-REDVDN 22/12 L	19.0	38.5	47.0	33.0	22	22	36	20x2	WAL619137	WAL621386	
		15	P-REDVDN 22/15 L	23.8	39.5	49.0	34.0	27	27	36	20x2	WAL619138	WAL621387	
		18	P-REDVDN 22/18 L	24.5	39.5	49.5	33.5	32	32	36	20x2	WAL619139	WAL621388	
28		6	P-REDVDN 28/6 L	30.5	39.5	48.0	34.0	36	14	46	26x2	WAL619140	WAL621389	
		8	P-REDVDN 28/8 L	30.5	39.5	48.5	34.0	17	17	46	26x2	WAL619141	WAL621390	
		10	P-REDVDN 28/10 L	30.0	40.5	49.5	35.0	19	19	46	26x2	WAL619142	WAL621391	
		12	P-REDVDN 28/12 L	31.0	40.5	49.0	35.0	36	22	46	26x2	WAL619143	WAL621392	
		15	P-REDVDN 28/15 L	33.4	41.5	51.0	36.0	27	27	46	26x2	WAL619144	WAL621393	
		18	P-REDVDN 28/18 L	35.5	41.5	51.5	35.5	32	32	46	26x2	WAL619145	WAL621394	
	22	P-REDVDN 28/22 L	38.2	43.5	53.5	37.5	36	36	46	26x2	WAL619146	WAL621395		

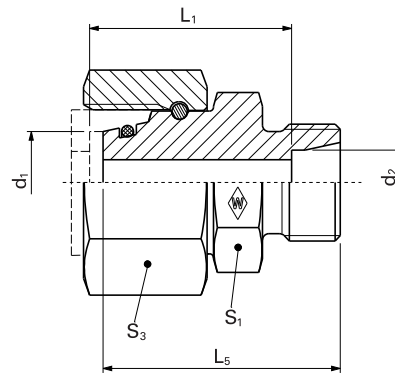
⚠ Caution: The pressure specifications refer to the steel version. For the stainless steel version (1.4571), please refer to the pressure specifications on page B5.

*For complete stainless steel fittings (1.4571) with silver-plated nut (AG/AGP), see price list

L₅= approximate dimension if the union nut is tightened

**FPM (e.g. Viton) see price list / available on request

RESDSN ... / ... REDSD ... / ...-1.4571



H

System nuts for supplementing the stud
(for technical data, see part D of this catalog)

PN bar (psi)	d ₁	Tube outer diameter d ₂	Model	kg/ 100 pc.	Art. no.	Stud	Stud	WALRING	WALFORM	WALFORM
						RESDSN ... / ...	Stainless steel (1.4571) P-RESDSN ... / ... VI-1.4571*	W-R ... VI	WF-M ... VI	stainless steel WF-M ... VI-1.4571*
500 (7252)	8	6	RESDSN 8/6 L	3.2	WAL619030	WAL618337	WAL624607	WAL625940	WAL625980	
		6	RESDSN 10/6 L	4.0	WAL619031	WAL618338	WAL624607	WAL625940	WAL625980	
	10	8	RESDSN 10/8 L	4.0	WAL619032	WAL618339	WAL624608	WAL625941	WAL625981	
		6	RESDSN 12/6 L	6.0	WAL619033	WAL618340	WAL624607	WAL625940	WAL625980	
	12	8	RESDSN 12/8 L	5.5	WAL619034	WAL618341	WAL624608	WAL625941	WAL625981	
		10	RESDSN 12/10 L	5.5	WAL619035	WAL618342	WAL624609	WAL625942	WAL625982	
400 (5801)	6	8	RESDSN 15/6 L	8.5	WAL619036	WAL618343	WAL624607	WAL625940	WAL625980	
		8	RESDSN 15/8 L	9.5	WAL619037	WAL618344	WAL624608	WAL625941	WAL625981	
	15	10	RESDSN 15/10 L	9.0	WAL619038	WAL618345	WAL624609	WAL625942	WAL625982	
		12	RESDSN 15/12 L	9.0	WAL619039	WAL618346	WAL624610	WAL625943	WAL625983	
	6	8	RESDSN 18/6 L	11.2	WAL619040	WAL618347	WAL624607	WAL625940	WAL625980	
		8	RESDSN 18/8 L	11.5	WAL619041	WAL618348	WAL624608	WAL625941	WAL625981	
	18	10	RESDSN 18/10 L	13.0	WAL619042	WAL618349	WAL624609	WAL625942	WAL625982	
		12	RESDSN 18/12 L	15.5	WAL619043	WAL618350	WAL624610	WAL625943	WAL625983	
	15	RESDSN 18/15 L	12.2	WAL619044	WAL618351	WAL624611	WAL625944	WAL625984		
	250 (3626)	6	8	RESDSN 22/6 L	16.0	WAL619045	WAL618352	WAL624607	WAL625940	WAL625980
			8	RESDSN 22/8 L	16.0	WAL619046	WAL618353	WAL624608	WAL625941	WAL625981
		22	10	RESDSN 22/10 L	16.0	WAL619047	WAL618354	WAL624609	WAL625942	WAL625982
12			RESDSN 22/12 L	16.0	WAL619048	WAL618355	WAL624610	WAL625943	WAL625983	
15		RESDSN 22/15 L	18.5	WAL619049	WAL618356	WAL624611	WAL625944	WAL625984		
18		RESDSN 22/18 L	18.0	WAL619050	WAL618357	WAL624612	WAL625945	WAL625985		
6		8	RESDSN 28/6 L	29.0	WAL619051	WAL618358	WAL624607	WAL625940	WAL625980	
		8	RESDSN 28/8 L	29.0	WAL619052	WAL618359	WAL624608	WAL625941	WAL625981	
10		8	RESDSN 28/10 L	27.5	WAL619053	WAL618360	WAL624609	WAL625942	WAL625982	
		12	RESDSN 28/12 L	28.0	WAL619054	WAL618361	WAL624610	WAL625943	WAL625983	
15	RESDSN 28/15 L	28.0	WAL619055	WAL618362	WAL624611	WAL625944	WAL625984			
28	18	RESDSN 28/18 L	28.5	WAL619056	WAL618363	WAL624612	WAL625945	WAL625985		
	22	RESDSN 28/22 L	31.0	WAL619057	WAL618364	WAL624613	WAL625946	WAL625986		

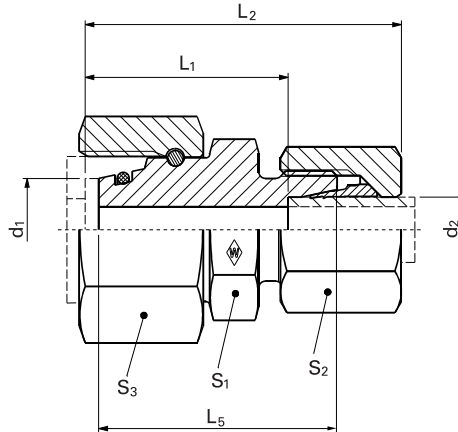
⚠ **Caution:** The pressure specifications refer to the steel version. For the stainless steel version (1.4571), please refer to the pressure specifications on page B5.

Reducer fittings

P-REDVDN ... / ...

P-REDVD ... / ...-1.4571

- L series
- With soft seal made from NBR** (e.g. Perbunan) for steel
- With soft seal made from FKM (e.g. Viton) for stainless steel (1.4571)



H

PN bar (psi)	d ₁	Tube outer diameter d ₂	Model	kg/ 100 pc.	L ₅	L ₂	L ₁	S ₁	S ₂	S ₃	*O-ring	WALPRO P-REDVDN...	WALPRO Stainless steel (1.4571) P-REDVD ... / ... -VI-1.4571*
													Art. no.
250 (3626)	35	6	P-REDVDN 35/6 L	37.4	41.0	51.0	37.0	46	14	50	32x2.5	WAL619147	WAL621396
		8	P-REDVDN 35/8 L	36.8	41.0	51.5	37.0		17				WAL621397
		10	P-REDVDN 35/10 L	37.5	42.0	52.5	38.0		19				WAL621398
		12	P-REDVDN 35/12 L	36.5	42.0	52.0	38.0		22				WAL621399
		15	P-REDVDN 35/15 L	40.0	43.0	54.0	39.0		27				WAL621400
		18	P-REDVDN 35/18 L	42.0	43.0	54.5	38.5		32				WAL621401
		22	P-REDVDN 35/22 L	44.0	45.0	56.5	40.5		36				WAL621402
		28	P-REDVDN 35/28 L	49.0	45.0	56.5	40.5		41				WAL621403
42	42	6	P-REDVDN 42/6 L	54.2	44.0	54.5	40.5	50	14	60	38x2.5	WAL619155	WAL623091
		8	P-REDVDN 42/8 L	51.0	44.0	55.0	40.5		17				WAL623093
		10	P-REDVDN 42/10 L	52.0	45.0	56.0	41.5		19				WAL621404
		12	P-REDVDN 42/12 L	56.2	45.0	55.5	41.5		22				WAL621405
		15	P-REDVDN 42/15 L	51.0	46.0	57.5	52.5		27				WAL621406
		18	P-REDVDN 42/18 L	53.5	46.0	58.0	42.0		32				WAL621407
		22	P-REDVDN 42/22 L	57.5	48.0	60.0	44.0		36				WAL621408
		28	P-REDVDN 42/28 L	59.5	48.0	60.0	44.0		41				WAL621409
		35	P-REDVDN 42/35 L	66.8	50.0	63.5	43.0	50			WAL619163	WAL621410	

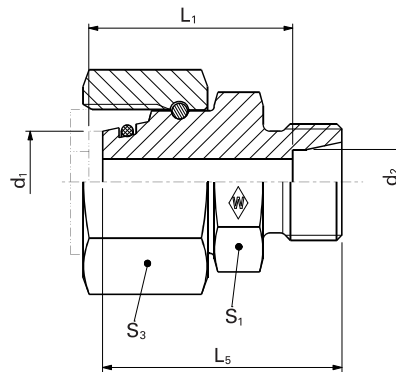
⚠ Caution: The pressure specifications refer to the steel version. For the stainless steel version (1.4571), please refer to the pressure specifications on page B5.

*Complete stainless steel fittings (1.4571) with silver-plated nut (AG/AGP), see price list

L₂ = approximate dimension if the union nut is tightened

**FPM (e.g. Viton) see price list / available on request

RESDSN ... / ... REDSD ... / ...-1.4571



H

System nuts for supplementing the stud
(for technical data, see part D of this catalog)

PN bar (psi)	d ₁	Tube outer diameter d ₂	Model	kg/ 100 pc.	Stud RESDSN ... / ... Art. no.	Stud Stainless steel (1.4571) P-RESDS ... / ... VI-1.4571* Art. no.	System nuts for supplementing the stud (for technical data, see part D of this catalog)		
							WALRING W-R ... VI Art. no.	WALFORM WF-M ... VI Art. no.	WALFORM stainless steel WF-M ... VI-1.4571* Art. no.
250 (3626)	35	6	RESDSN 35/6 L	35.0	WAL619058	WAL618365	WAL624607	WAL625940	WAL625980
		8	RESDSN 35/8 L	32.4	WAL619059	WAL618366	WAL624608	WAL625941	WAL625981
		10	RESDSN 35/10 L	36.0	WAL619060	WAL618367	WAL624609	WAL625942	WAL625982
		12	RESDSN 35/12 L	33.5	WAL619061	WAL618368	WAL624610	WAL625943	WAL625983
		15	RESDSN 35/15 L	34.0	WAL619062	WAL618369	WAL624611	WAL625944	WAL625984
		18	RESDSN 35/18 L	34.5	WAL619063	WAL618370	WAL624612	WAL625945	WAL625985
		22	RESDSN 35/22 L	35.0	WAL619064	WAL618371	WAL624613	WAL625946	WAL625986
		28	RESDSN 35/28 L	37.0	WAL619065	WAL618372	WAL624614	WAL625947	WAL625987
	42	6	RESDSN 42/6 L	49.5	WAL619066	WAL623092	WAL624607	WAL625940	WAL625980
		8	RESDSN 42/8 L	51.8	WAL619067	WAL623094	WAL624608	WAL625941	WAL625981
		10	RESDSN 42/10 L	50.0	WAL619068	WAL618373	WAL624609	WAL625942	WAL625982
		12	RESDSN 42/12 L	50.0	WAL619069	WAL618374	WAL624610	WAL625943	WAL625983
		15	RESDSN 42/15 L	46.0	WAL619070	WAL618375	WAL624611	WAL625944	WAL625984
		18	RESDSN 42/18 L	46.5	WAL619071	WAL618376	WAL624612	WAL625945	WAL625985
22		RESDSN 42/22 L	48.5	WAL619072	WAL618377	WAL624613	WAL625946	WAL625986	
		28	RESDSN 42/28 L	49.0	WAL619073	WAL618378	WAL624614	WAL625947	WAL625987
		35	RESDSN 42/35 L	55.0	WAL619074	WAL618379	WAL624615	WAL625948	WAL625988

⚠ Caution: The pressure specifications refer to the steel version. For the stainless steel version (1.4571), please refer to the pressure specifications on page B5.