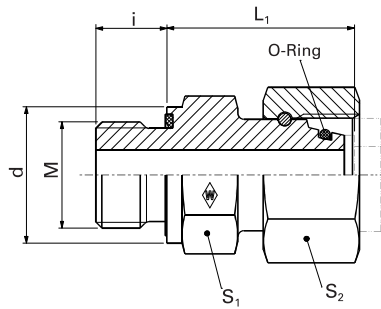


## EGESD ... M-WD

### EGESD ... M-WD-1.4571

- with taper and O-ring made from NBR\* (e.g. Perbunan) for steel
- with taper and O-ring made from FKM (e.g. Viton) for stainless steel (1.4571)
- Metric stud type E to DIN EN ISO 9974-2



F

Series	PN bar (psi)	Tube outer diameter	M	Model	kg/100 pc.	L <sub>1</sub>	i	d	S <sub>1</sub>	S <sub>2</sub>	*O-ring	Stud	Stud	
												EGESD ... M-WD	Stainless steel (1.4571) EGESD ... M-WD-VI-1.4571**	
													Art. no.	Art. no.
L	500 (7252)	6	M 10 x 1	<b>EGESD 6 LM-WD</b>	3.6	24.5	8	13.9	14	17	4.5 x 1.5	<b>WAL063641</b>	<b>WAL602795</b>	
		8	M 12 x 1.5	<b>EGESD 8 LM-WD</b>	5.7	26.5	12	16.9	17	17	6 x 1.5	<b>WAL063642</b>	<b>WAL617617</b>	
		10	M 14 x 1.5	<b>EGESD 10 LM-WD</b>	5.8	27.5	12	18.9	19	19	8.5 x 1.5	<b>WAL063643</b>	<b>WAL615649</b>	
	400 (5801)	12	M 16 x 1.5	<b>EGESD 12 LM-WD</b>	7.5	30.5	12	21.9	22	22	10 x 1.5	<b>WAL063644</b>	<b>WAL613252</b>	
		15	M 18 x 1.5	<b>EGESD 15 LM-WD</b>	14.4	31.5	12	23.9	24	27	12 x 2	<b>WAL063645</b>	<b>WAL617618</b>	
		18	M 22 x 1.5	<b>EGESD 18 LM-WD</b>	15.2	31.5	14	26.9	27	32	15 x 2	<b>WAL063646</b>	<b>WAL615369</b>	
	250 (3626)	22	M 26 x 1.5	<b>EGESD 22 LM-WD</b>	20.2	32.5	16	31.9	32	36	20 x 2	<b>WAL063647</b>	<b>WAL615318</b>	
		28	M 33 x 2	<b>EGESD 28 LM-WD</b>	35.6	35	18	39.9	41	46	26 x 2	<b>WAL063648</b>	<b>WAL617619</b>	
		35	M 42 x 2	<b>EGESD 35 LM-WD</b>	50.7	42.5	20	49.9	50	50	32 x 2.5	<b>WAL063649</b>	<b>WAL615713</b>	
		42	M 48 x 2	<b>EGESD 42 LM-WD</b>	66.4	46.5	22	54.9	55	60	38 x 2.5	<b>WAL063650</b>	<b>WAL617620</b>	
S	800 (11603)	6	M 12 x 1.5	<b>EGESD 6 SM-WD</b>	5.6	27	12	16.9	17	17	4.5 x 1.5	<b>WAL063651</b>	<b>WAL617621</b>	
		8	M 14 x 1.5	<b>EGESD 8 SM-WD</b>	6.2	29.5	12	18.9	19	19	6 x 1.5	<b>WAL063652</b>	<b>WAL617622</b>	
		10	M 16 x 1.5	<b>EGESD 10 SM-WD</b>	9.2	32	12	21.9	22	22	8.5 x 1.5	<b>WAL063653</b>	<b>WAL617623</b>	
	630 (9137)	12	M 18 x 1.5	<b>EGESD 12 SM-WD</b>	11.0	34	12	23.9	24	24	10 x 1.5	<b>WAL063654</b>	<b>WAL617624</b>	
		14	M 20 x 1.5	<b>EGESD 14 SM-WD</b>	17.0	36.5	14	25.9	27	27	12 x 2	<b>WAL063655</b>		
		16	M 22 x 1.5	<b>EGESD 16 SM-WD</b>	23.0	37	14	26.9	27	30	14 x 2	<b>WAL063656</b>	<b>WAL607908</b>	
	420 (6091)	20	M 27 x 2	<b>EGESD 20 SM-WD</b>	28.6	43	16	31.9	32	36	17.3 x 2.4	<b>WAL063657</b>	<b>WAL610674</b>	
		25	M 33 x 2	<b>EGESD 25 SM-WD</b>	49.4	48	18	39.9	41	46	22.3 x 2.4	<b>WAL063658</b>	<b>WAL617625</b>	
		400 (5801)	30	M 42 x 2	<b>EGESD 30 SM-WD</b>	67.4	51	20	49.9	50	50	27.3 x 2.4	<b>WAL063659</b>	<b>WAL610619</b>
		38	M 48 x 2	<b>EGESD 38 SM-WD</b>	93.1	60	22	54.9	55	60	35 x 2.5	<b>WAL063660</b>	<b>WAL617626</b>	

**⚠ Caution:** The pressure specifications refer to the steel version. For the stainless steel version (1.4571), please refer to the pressure specifications on page B5.  
 \*For FPM (e.g. Viton) see price list / available on request

Special parts are available on request.