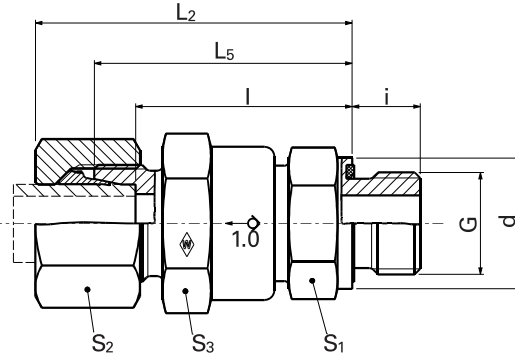


Male check valve

P-RVV ... R-WD

P-RVV ... R-WD-1.4571

- Flow from male studs
- with soft seal made from NBR** (e.g. Perbunan) for steel
- with soft seal made from FKM (e.g. Viton) for stainless steel (1.4571)
- Inch studs type E to DIN EN ISO 1179-2



G

Series	PN bar (psi)	Tube outer diameter	DIN-ISO 228 (R..., DIN 259) G	Model	kg/100 pc.	d	L ₂	L ₅	l	i	S ₁	S ₂	S ₃	Ø of outlet	WALPRO P-RVV... R-WD	
															Art. no.	Art. no.
L	400 (5801)	6	G 1/8 A	P-RVV 6 LR-WD	11.5	13.9	50.5	43	36	8	22	14	27	4.0	WAL373986	WAL621595
		8	G 1/4 A	P-RVV 8 LR-WD	13.5	18.9	50.5	43	36	12	22	17	27	6.0	WAL373987	WAL621599
		10	G 1/4 A	P-RVV 10 LR-WD	12.8	18.9	48.5	41	34	12	22	19	27	6.0	WAL373988	WAL621562
		12	G 3/8 A	P-RVV 12 LR-WD	16.9	21.9	53.5	46	39	12	22	22	27	7.5	WAL373989	WAL621566
		15	G 1/2 A	P-RVV 15 LR-WD	23.7	26.9	56	48	41	14	27	27	32	11.0	WAL373990	WAL621572
	250 (3626)	18	G 1/2 A	P-RVV 18 LR-WD	28.9	26.9	61.5	53	45.5	14	27	32	32	11.0	WAL373991	WAL621576
		22	G 3/4 A	P-RVV 22 LR-WD	52.3	31.9	69.5	61	53.5	16	41	36	46	18.0	WAL373992	WAL621580
		28	G 1 A	P-RVV 28 LR-WD	68.3	39.9	77	68	60.5	18	41	41	46	20.0	WAL373993	WAL621584
		35	G 1 1/4 A	P-RVV 35 LR-WD	155.5	49.9	88.5	77.5	67	20	60	50	70	29.0	WAL373994	WAL621588
		42	G 1 1/2 A	P-RVV 42 LR-WD	161.2	54.9	87.5	75.5	64.5	22	60	60	70	29.0	WAL602441	WAL621592
S	400 (5801)	6	G 1/4 A	P-RVV 6 SR-WD	13.3	18.9	52.5	45	38	12	22	17	27	4.0	WAL373995	WAL621597
		8	G 1/4 A	P-RVV 8 SR-WD	13.8	18.9	50.5	43	36	12	22	19	27	5.0	WAL373996	WAL621600
		10	G 3/8 A	P-RVV 10 SR-WD	15.5	21.9	53.5	45	37.5	12	22	22	27	7.5	WAL373997	WAL621564
		12	G 3/8 A	P-RVV 12 SR-WD	18.1	21.9	55.5	47	39.5	12	22	24	27	7.5	WAL373998	WAL621568
		14	G 1/2 A	P-RVV 14 SR-WD	24.7	26.9	59.5	50	42	14	27	27	32	10.0	WAL373999	WAL621570
	250 (3626)	16	G 1/2 A	P-RVV 16 SR-WD	28.3	26.9	62.5	53	44.5	14	27	30	32	11.0	WAL374000	WAL621574
		20	G 3/4 A	P-RVV 20 SR-WD	55.3	31.9	74	63	52.5	16	41	36	46	16.0	WAL374001	WAL621578
		25	G 1 A	P-RVV 25 SR-WD	73.6	39.9	77	65	53	18	41	46	46	20.0	WAL374002	WAL621582
		30	G 1 1/4 A	P-RVV 30 SR-WD	105.3	49.9	87	74	60.5	20	50	50	55	24.0	WAL374003	WAL621586
		38	G 1 1/2 A	P-RVV 38 SR-WD	200.4	54.9	96	81.5	65.5	22	60	60	70	29.0	WAL374004	WAL621590

⚠ Caution: The pressure specifications refer to the steel version. For the stainless steel version (1.4571), please refer to the pressure specifications on page B5.

⚠ Caution: The dimensions of the stainless steel version deviate from the specified check-valve dimensions.

*For complete stainless steel fittings (1.4571) with silver-plated nut (AG/AGP), see price list

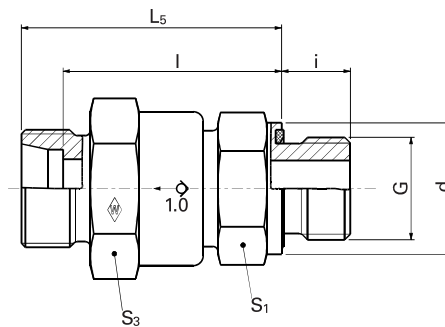
L₂= approximate dimension if the union nut is tightened

**FPM (e.g. Viton) see price list / available on request

Series	PN bar (psi)	Tube outer diameter	Model**	Art. no. of WALPRO P-RVV... R-WD (steel) with different opening pressures			
				0.1 bar	0.5 bar	2.0 bar	3.0 bar
L	400 (5801)	6	P-RVV 6 LR-WD /xx	WAL604825	WAL606085	WAL608600	WAL607293
		8	P-RVV 8 LR-WD /xx	WAL610001	WAL606086	WAL609791	WAL612750
		10	P-RVV 10 LR-WD /xx	WAL604692	WAL606087	WAL623997	WAL607096
		12	P-RVV 12 LR-WD /xx	WAL608625	WAL604700	WAL604701	WAL605199
	250 (3626)	15	P-RVV 15 LR-WD /xx	WAL374936	WAL606461	WAL610393	WAL605242
		18	P-RVV 18 LR-WD /xx	WAL605543	WAL601077	WAL604815	WAL603948
		22	P-RVV 22 LR-WD /xx	WAL374937	WAL604772	WAL610398	WAL602657
		28	P-RVV 28 LR-WD /xx	WAL604904	WAL604300	WAL605503	WAL602642
S	400 (5801)	35	P-RVV 35 LR-WD /xx	WAL606410	WAL610399		
		42	P-RVV 42 LR-WD /xx	WAL605550	WAL606742	WAL609995	
		6	P-RVV 6 SR-WD /xx		WAL604976		WAL611475
		8	P-RVV 8 SR-WD /xx	WAL610002			
	250 (3626)	10	P-RVV 10 SR-WD /xx	WAL604543	WAL604495		
		12	P-RVV 12 SR-WD /xx	WAL610003	WAL617074	WAL604533	WAL604816
		16	P-RVV 16 SR-WD /xx	WAL608994	WAL603896		WAL606984
		20	P-RVV 20 SR-WD /xx	WAL604978	WAL605291	WAL606741	WAL604733
250 (3626)	25	P-RVV 25 SR-WD /xx		WAL605290	WAL606741	WAL605292	
	30	P-RVV 30 SR-WD /xx		WAL605294	WAL605293	WAL606988	
		38	P-RVV 38 SR-WD /xx		WAL604063	WAL606996	

**e.g. P-RVV 6LR-WD / 0.1

RSV ... R-WD RSV ... R-WD-1.4571



System nuts for supplementing the stud
(for technical data, see part D of this catalog)

G

Series	PN bar (psi)	Tube outer diameter	DIN-ISO 228 (R..., DIN 259) G	Model	kg/100 pc.	Stud	Stud	WALRING	WALFORM	WALFORM
						RSV ... R-WD	Stainless steel (1.4571) RSV ... R-WD-1.4571	W-R ... VI	WF-M ... VI	WF-M ... VI
L	400 (5801)	6	G 1/8 A	RSV 6 LR-WD	12.0	WAL374839	WAL617651	WAL624607	WAL625940	WAL625980
		8	G 1/4 A	RSV 8 LR-WD	12.0	WAL370763	WAL605386	WAL624608	WAL625941	WAL625981
		10	G 1/4 A	RSV 10 LR-WD	11.5	WAL371045	WAL607115	WAL624609	WAL625942	WAL625982
		12	G 3/8 A	RSV 12 LR-WD	14.0	WAL068470	WAL617652	WAL624610	WAL625943	WAL625983
		15	G 1/2 A	RSV 15 LR-WD	19.0	WAL371264	WAL602751	WAL624611	WAL625944	WAL625984
	250 (3626)	18	G 1/2 A	RSV 18 LR-WD	23.0	WAL602598	WAL605216	WAL624612	WAL625945	WAL625985
		22	G 3/4 A	RSV 22 LR-WD	47.0	WAL060241	WAL604623	WAL624613	WAL625946	WAL625986
		28	G 1 A	RSV 28 LR-WD	52.5	WAL371746	WAL604216	WAL624614	WAL625947	WAL625987
		35	G 1 1/4 A	RSV 35 LR-WD	137.0	WAL372025	WAL605066	WAL624615	WAL625948	WAL625988
		42	G 1 1/2 A	RSV 42 LR-WD	140.0	WAL609782	WAL617653	WAL624616	WAL625949	WAL625989
S	400 (5801)	6	G 1/4 A	RSV 6 SR-WD	13.0	WAL612743	WAL617654	WAL624617	WAL625950	WAL625990
		8	G 1/4 A	RSV 8 SR-WD	12.0	WAL372786	WAL604974	WAL624618	WAL625951	WAL625991
		10	G 3/8 A	RSV 10 SR-WD	13.5	WAL371265	WAL605012	WAL624619	WAL625952	WAL625992
		12	G 3/8 A	RSV 12 SR-WD	14.5	WAL061960	WAL371656	WAL624620	WAL625953	WAL625993
		14	G 1/2 A	RSV 14 SR-WD	19.5	WAL618611	WAL602875			
	250 (3626)	16	G 1/2 A	RSV 16 SR-WD	23.0	WAL371105	WAL602472	WAL624621	WAL625954	WAL625994
		20	G 3/4 A	RSV 20 SR-WD	59.5	WAL371197	WAL617655	WAL624622	WAL625955	WAL625995
		25	G 1 A	RSV 25 SR-WD	54.0	WAL371745	WAL617656	WAL624623	WAL625956	WAL625996
		30	G 1 1/4 A	RSV 30 SR-WD	86.0	WAL370764	WAL617657	WAL624624	WAL625957	WAL625997
		38	G 1 1/2 A	RSV 38 SR-WD	144.1	WAL372026	WAL617658	WAL624625	WAL625958	WAL625998

⚠ Caution: The pressure specifications refer to the steel version. For the stainless steel version (1.4571), please refer to the pressure specifications on page B5.
⚠ Caution: The dimensions of the stainless steel version deviate from the specified check-valve dimensions.

Art. no. of studs RSV ... R-WD (steel) with different opening pressures

Series	PN bar (psi)	Tube outer diameter	Model**	Art. no. of studs RSV ... R-WD (steel) with different opening pressures			
				0.1 bar	0.5 bar	2.0 bar	3.0 bar
L	400 (5801)	6	RSV 6 LR-WD /xx	WAL371380			
		8	RSV 8 LR-WD /xx		WAL615264		
		10	RSV 10 LR-WD /xx		WAL372116	WAL615341	WAL609998
		12	RSV 12 LR-WD /xx	WAL610714	WAL609753		WAL612276
		15	RSV 15 LR-WD /xx	WAL627128	WAL624124		WAL615655
	250 (3626)	18	RSV 18 LR-WD /xx	WAL612871	WAL614222		WAL611552
		22	RSV 22 LR-WD /xx	WAL626560	WAL619704	WAL617116	WAL610629
		28	RSV 28 LR-WD /xx	WAL606804	WAL606077	WAL371720	WAL611626
		35	RSV 35 LR-WD /xx				
		42	RSV 42 LR-WD /xx		WAL624117	WAL625906	
S	400 (5801)	6	RSV 6 SR-WD /xx				
		8	RSV 8 SR-WD /xx	WAL624159	WAL610480		
		10	RSV 10 SR-WD /xx		WAL604330		WAL619702
		12	RSV 12 SR-WD /xx		WAL604331		
	250 (3626)	16	RSV 16 SR-WD /xx	WAL623436	WAL617097		WAL624206
		20	RSV 20 SR-WD /xx		WAL614224		WAL618545
		25	RSV 25 SR-WD /xx	WAL618544	WAL606645		WAL610542
		30	RSV 30 SR-WD /xx		WAL604487		WAL615601
	38	RSV 38 SR-WD /xx		WAL615662			

**e.g. RSV 6LR-WD / 0.1