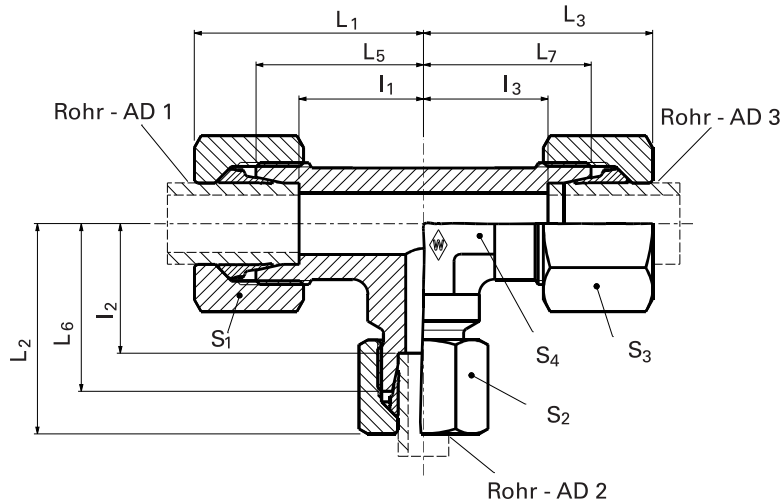


# T reducer fittings

## P-TV 1/2/3

- L<sub>1</sub>, L<sub>2</sub> and L<sub>3</sub> = approximate dimensions if the union nuts are tightened
- Light-duty range



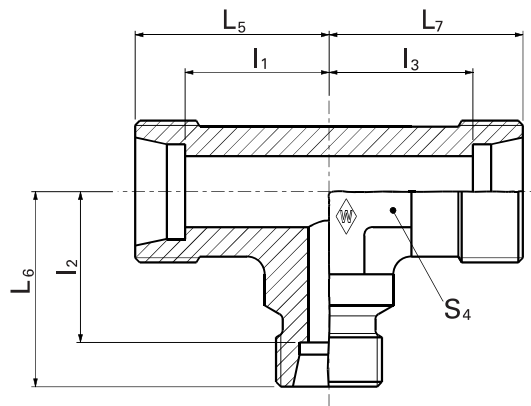
WALPRO  
P-TV .../.../...

Series	PN bar (psi)	Tube outer diameter 1	Tube outer diameter 2	Tube outer diameter 3	Model	I <sub>1</sub>	I <sub>2</sub>	I <sub>3</sub>	L <sub>1</sub>	L <sub>2</sub>	L <sub>3</sub>	L <sub>5</sub>	L <sub>6</sub>	L <sub>7</sub>	S <sub>1</sub>	S <sub>2</sub>	S <sub>3</sub>	S <sub>4</sub>	Art. no.
L	500 (7252)	10	6	10	P-TV 10/6/10 L	15	15	15	30	30	30	22	22	22	17	19	14	14	WAL374542
		10	8	10	P-TV 10/8/10 L	15	15	15	30	30	30	22	22	22	17	19	17	14	WAL374543
		12	6	12	P-TV 12/6/12 L	17	17	17	32	32	32	24	24	24	22	22	14	17	WAL602635
		12	8	12	P-TV 12/8/12 L	17	17	17	32	32	32	24	24	24	22	22	17	17	WAL374544
		12	10	12	P-TV 12/10/12 L	17	17	17	32	32	32	24	24	24	22	22	19	17	WAL374545
	400 (5801)	12	15	12	P-TV 12/15/12 L	21	21	21	36	36	36	28	28	28	22	22	27	19	WAL374546
		15	12	12	P-TV 15/12/12 L	21	21	21	36	36	36	28	28	28	27	22	22	19	WAL374549
		15	15	12	P-TV 15/15/12 L	21	21	21	36	36	36	28	28	28	27	22	27	19	WAL606957
		15	8	15	P-TV 15/8/15 L	21	21	21	36	36	36	28	28	28	27	27	17	19	WAL374547
		15	10	15	P-TV 15/10/15 L	21	21	21	36	36	36	28	28	28	27	27	19	19	WAL605187
		15	12	15	P-TV 15/12/15 L	21	21	21	36	36	36	28	28	28	27	27	22	19	WAL374548
		18	12	12	P-TV 18/12/12 L	23.5	24	24	40	39	39	31	31	31	32	22	22	24	WAL374552
		18	10	18	P-TV 18/10/18 L	23.5	23.5	24	40	40	39	31	31	31	32	32	19	24	WAL374550
		18	12	18	P-TV 18/12/18 L	23.5	23.5	24	40	40	39	31	31	31	32	32	22	24	WAL374551
		18	15	18	P-TV 18/15/18 L	23.5	23.5	24	40	40	39	31	31	31	32	32	27	24	WAL605018
250 (3626)	22	10	22	P-TV 22/10/22 L	27.5	27.5	28	44	44	43	35	35	35	36	36	19	27	WAL373553	
	22	15	22	P-TV 22/15/22 L	27.5	27.5	28	44	44	43	35	35	35	36	36	27	27	WAL374554	
	28	22	22	P-TV 28/22/22 L	30.5	30.5	30.5	47	47	47	38	38	38	41	36	36	36	WAL606590	
	28	22	28	P-TV 28/22/28 L	30.5	30.5	30.5	47	47	47	38	38	38	41	41	36	36	WAL605916	

L<sub>1</sub>, L<sub>2</sub> and L<sub>3</sub> = approximate dimensions if the union nuts are tightened

Special parts are available on request.

TS 1/2/3



E

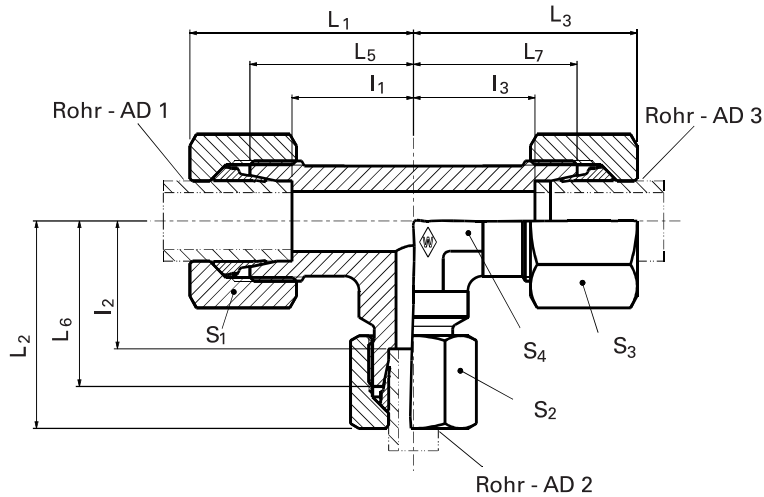
Series	PN bar (psi)	Tube outer diameter 1	Tube outer diameter 2	Tube outer diameter 3	Model	kg/100 pc.	Art. no.	Stud TS .../.../...
L	500 (7525)	10	6	10	TS 10/6/10 L	5.8	WAL027761	
		10	8	10	TS 10/8/10 L	5.8	WAL029472	
		12	6	12	TS 12/6/12 L	8.9	WAL025465	
		12	8	12	TS 12/8/12 L	8.7	WAL027710	
		12	10	12	TS 12/10/12 L	8.9	WAL024215	
		12	15	12	TS 12/15/12 L	7.9	WAL060044	
	400 (5801)	15	12	12	TS 15/12/12 L	8.0	WAL028939	
		15	15	12	TS 15/15/12 L	8.0	WAL024959	
		15	8	15	TS 15/8/15 L	7.7	WAL025033	
		15	10	15	TS 15/10/15 L	8.0	WAL060051	
		15	12	15	TS 15/12/15 L	8.7	WAL029473	
		18	12	12	TS 18/12/12 L	15.0	WAL064007	
		18	10	18	TS 18/10/18 L	15.0	WAL029620	
		18	12	18	TS 18/12/18 L	15.3	WAL028666	
250 (3626)	18	15	18	TS 18/15/18 L	15.5	WAL066450		
	22	10	22	TS 22/10/22 L	20.1	WAL025467		
	22	15	22	TS 22/15/22 L	20.6	WAL060866		
	28	22	22	TS 28/22/22 L	34.0	WAL063243		
		28	28	TS 28/22/28 L	33.2	WAL060956		

Special parts are available on request.

# T reducer fittings

## P-TV 1/2/3

- L<sub>1</sub>, L<sub>2</sub> and L<sub>3</sub> = approximate dimensions if the union nuts are tightened
- Heavy-duty range



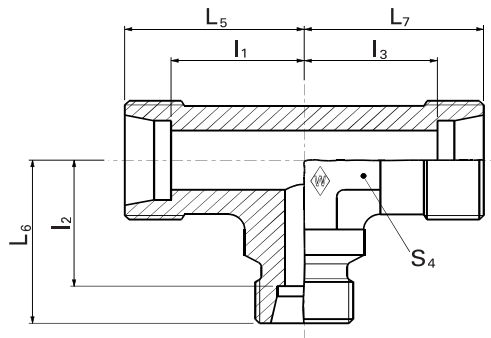
E

Series	PN bar (psi)	Tube outer diameter 1	Tube outer diameter 2	Tube outer diameter 3	I <sub>1</sub>	I <sub>2</sub>	I <sub>3</sub>	L <sub>1</sub>	L <sub>2</sub>	L <sub>3</sub>	L <sub>5</sub>	L <sub>6</sub>	L <sub>7</sub>	S <sub>1</sub>	S <sub>2</sub>	S <sub>3</sub>	S <sub>4</sub>
S	630 (9137)	12	16	12	25.5	25.5	24.5	42	42	43	33	33	33	24	24	30	24
		16	10	16	24.5	24.5	25.5	43	43	42	33	33	33	30	30	22	24
		16	12	16	24.5	25.5	25.5	43	43	42	33	33	33	30	30	24	24
		16	12	12	24.5	25.5	25.5	43	42	38	33	33	29	30	30	24	24
		16	6	16	24.5	24.5	26	43	43	41	33	33	33	30	30	17	24
	420 (6091)	16	25	16	33.5	33.5	30	52	52	54	42	42	42	30	30	46	36
		16	20	16	28.5	28.5	26.5	47	47	48	37	37	37	30	30	36	27
		20	25	20	31.5	31.5	30	53	53	54	42	42	42	36	36	46	36
		20	20	16	36.5	28.5	36.5	48	47	48	37	37	37	36	30	36	27
		20	16	16	26.5	28.5	24.5	48	47	43	37	37	33	36	30	30	27
400 (5801)		20	10	20	26.5	26.5	29.5	48	48	46	37	37	37	36	36	22	27
		20	12	20	26.5	26.5	29.5	48	48	47	37	37	37	36	36	24	27
		25	12	25	30	30	34.5	54	54	51	42	42	42	46	46	24	36
		25	16	25	30	30	33.5	54	54	52	42	42	42	46	46	30	36
		25	20	25	30	30	31.5	54	54	53	42	42	42	46	46	36	36
		30	20	30	35.5	35.5	38.5	62	62	60	49	49	49	50	50	36	41
		30	25	30	35.5	35.5	37	62	62	61	49	49	49	50	50	46	41
		30	30	20	35.5	33	35.5	62	60	62	49	49	49	50	36	50	41
		30	30	16	35.5	40.5	35.5	62	59	62	49	49	49	50	30	50	41
		30	38	30	43.5	43.5	41	70	70	72	57	57	57	50	50	60	50

L<sub>1</sub>, L<sub>2</sub> and L<sub>3</sub> = approximate dimensions if the union nuts are tightened

Special parts are available on request.

TS 1/2/3



E

Stud  
TS .../.../...

Series	PN bar (psi)	Tube outer diameter 1	Tube outer diameter 2	Tube outer diameter 3	Model	Art. no.
S	630 (9137)	12	16	12	TS 12/16/12 S	WAL066485
		16	10	16	TS 16/10/16 S	WAL025263
		16	12	16	TS 16/12/16 S	WAL067362
		16	12	12	TS 16/12/12 S	WAL612794
		16	6	16	TS 16/6/16 S	WAL615645
		16	25	16	TS 16/25/16 S	WAL613187
		16	20	16	TS 16/20/16 S	WAL611432
		20	25	20	TS 20/25/20 S	WAL612080
		20	20	16	TS 20/20/16 S	WAL612792
	420 (6091)	20	16	16	TS 20/16/16 S	WAL612793
		20	10	20	TS 20/10/20 S	WAL024178
		20	12	20	TS 20/12/20 S	WAL617083
		25	12	25	TS 25/12/25 S	WAL025200
		25	16	25	TS 25/16/25 S	WAL615644
		25	20	25	TS 25/20/25 S	WAL060872
		30	20	30	TS 30/20/30 S	WAL615640
		30	25	30	TS 30/25/30 S	WAL624322
		30	30	20	TS 30/30/20 S	WAL624323
30		30	16	TS 30/30/16 S	WAL624743	
400 (5801)	30	38	30	TS 30/38/30 S	WAL060874	
	20	16	20	TS 20/16/20 S	WAL615641	
	25	38	25	TS 25/38/25 S	WAL615638	
	38	20	38	TS 38/20/38 S	WAL615639	
	38	25	25	TS 38/25/25 S	WAL615637	
	38	25	38	TS 38/25/38 S	WAL615642	
	38	38	25	TS 38/38/25 S	WAL618539	

Special parts are available on request.