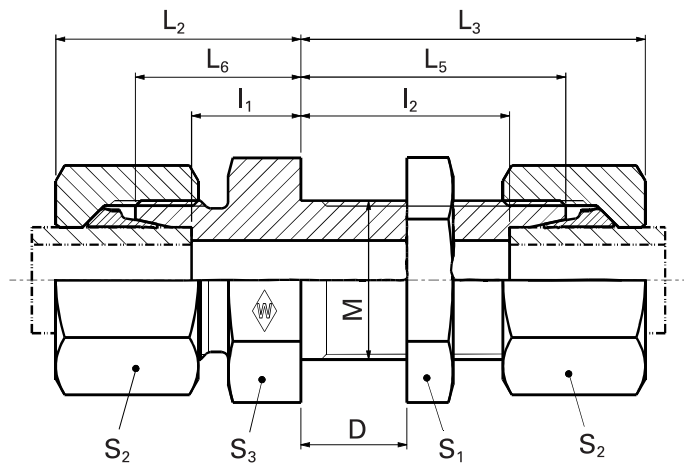


# Straight bulkhead fittings

P-GSV ...

P-GSV ... -1.4571



E

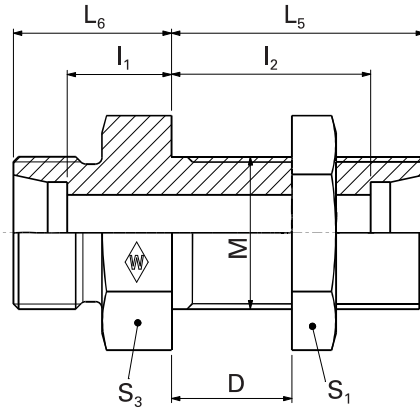
Series	PN bar (psi)	Tube outer diameter	Model	M	D min.	D max.	kg/100 pc.	L <sub>6</sub>	L <sub>5</sub>	L <sub>3</sub>	L <sub>2</sub>	I <sub>1</sub>	I <sub>2</sub>	*S <sub>1</sub>	S <sub>2</sub>	S <sub>3</sub>	WALPRO P-GSV ...	WALPRO stainless steel P-GSV ...-1.4571*
																	Art. no.	Art. no.
L	500 (7252)	6	P-GSV 6 L m. 6kt M	M 12 x 1.5	4	16	6.7	14	34	42	22	7	27	17	14	17	WAL373451	WAL620175
		8	P-GSV 8 L m. 6kt M	M 14 x 1.5	4	16	8.4	15	34	42	23	8	27	19	17	19	WAL373452	WAL620154
		10	P-GSV 10 L m. 6kt M	M 16 x 1.5	4	16	11.0	17	35	43	25	10	28	22	19	22	WAL373453	WAL620143
	400 (5801)	12	P-GSV 12 L m. 6kt M	M 18 x 1.5	4	16	13.3	17	36	44	25	10	29	24	22	24	WAL373454	WAL620137
		15	P-GSV 15 L m. 6kt M	M 22 x 1.5	4	16	22.8	19	38	45	27	12	31	30	27	27	WAL373455	WAL620217
		18	P-GSV 18 L m. 6kt M	M 26 x 1.5	4	16	33.2	21	40	49	30	13.5	32.5	36	32	32	WAL373456	WAL620194
	250 (3626)	22	P-GSV 22 L m. 6kt M	M 30 x 2	5	16	41.5	24	42	51	33	16.5	34.5	41	36	36	WAL373457	WAL620195
		28	P-GSV 28 L m. 6kt M	M 36 x 2	5	16	52.5	26	43	52	35	18.5	35.5	46	41	41	WAL373458	WAL620192
		35	P-GSV 35 L m. 6kt M	M 45 x 2	5	16	80.0	29	47	58	40	18.5	36.5	55	50	50	WAL373459	WAL620513
42		P-GSV 42 L m. 6kt M	M 52 x 2	5	16	119.3	30	47	59	42	19	36	65	60	60	WAL373460	WAL620267	
S	800 (11603)	6	P-GSV 6 S m. 6kt M	M 14 x 1.5	4	16	9.6	19	36	44	27	12	29	19	17	19	WAL373461	WAL620135
		8	P-GSV 8 S m. 6kt M	M 16 x 1.5	4	16	12.4	20	36	44	28	13	29	22	19	22	WAL373462	WAL620273
		10	P-GSV 10 S m. 6kt M	M 18 x 1.5	4	16	18.1	22	37	46	31	14.5	29.5	24	22	24	WAL373463	WAL620206
	630 (9137)	12	P-GSV 12 S m. 6kt M	M 20 x 1.5	4	16	21.0	22	38	47	31	14.5	30.5	27	24	27	WAL373464	WAL620136
		14	P-GSV 14 S m. 6kt M	M 22 x 1.5	4	16	29.0	25	40	50	35	17	32	30	27	30	WAL373465	WAL620466
		16	P-GSV 16 S m. 6kt M	M 24 x 1.5	4	16	31.0	25	40	50	35	16.5	31.5	32	30	32	WAL373466	WAL620162
	400 (5801)	20	P-GSV 20 S m. 6kt M	M 30 x 2	5	16	54.5	28	44	55	39	17.5	33.5	41	36	41	WAL373467	WAL620234
		25	P-GSV 25 S m. 6kt M	M 36 x 2	5	16	89.0	32	47	59	44	20	35	46	46	46	WAL373468	WAL620193
		30	P-GSV 30 S m. 6kt M	M 42 x 2	5	16	107.7	35	51	64	48	21.5	37.5	50	50	50	WAL373469	WAL620259
		38	P-GSV 38 S m. 6kt M	M 52 x 2	5	16	173.0	38	53	68	53	22	37	65	60	65	WAL373470	WAL620392

**⚠ Caution:** The pressure specifications refer to the steel version. For the stainless steel version (1.4571), please refer to the pressure specifications on page B5.

\*Complete stainless steel fittings (1.4571) with silver-plated nut (AG/AGP), see price list

L<sub>2</sub>= approximate dimension if the union nut is tightened

**GSS ...**  
**GSS ... -1.4571**



E

System nuts for supplementing the stud  
 (for technical data, see part D of this catalog)

Series	PN bar (psi)	Tube outer diameter	Model	M	D min.	D max.	kg/100 pc.	Stainless steel stud GSS ... -1.4571*		WALRING W-R ... VI	WALFORM WF-M ... VI	WALFORM stainless steel WF-M ... VI-1.4571*
								Stud GSS ...	Art. no.			
L	500 (7252)	6	GSS 6 L m. 6kt M	M 12 x 1.5	4	16	4.0	WAL063273	WAL606286	WAL624607	WAL625940	WAL625980
		8	GSS 8 L m. 6kt M	M 14 x 1.5	4	16	5.0	WAL024147	WAL606287	WAL624608	WAL625941	WAL625981
		10	GSS 10 L m. 6kt M	M 16 x 1.5	4	16	6.5	WAL061656	WAL606288	WAL624609	WAL625942	WAL625982
	400 (5801)	12	GSS 12 L m. 6kt M	M 18 x 1.5	4	16	7.5	WAL061657	WAL602786	WAL624610	WAL625943	WAL625983
		15	GSS 15 L m. 6kt M	M 22 x 1.5	4	16	13.0	WAL061995	WAL617480	WAL624611	WAL625944	WAL625984
	250 (3626)	18	GSS 18 L m. 6kt M	M 26 x 1.5	4	16	19.5	WAL061658	WAL605445	WAL624612	WAL625945	WAL625985
		22	GSS 22 L m. 6kt M	M 30 x 2	5	16	25.5	WAL063759	WAL612436	WAL624613	WAL625946	WAL625986
		28	GSS 28 L m. 6kt M	M 36 x 2	5	16	34.0	WAL063760	WAL617481	WAL624614	WAL625947	WAL625987
		35	GSS 35 L m. 6kt M	M 45 x 2	5	16	49.4	WAL063761	WAL617482	WAL624615	WAL625948	WAL625988
		42	GSS 42 L m. 6kt M	M 52 x 2	5	16	71.6	WAL063762	WAL617483	WAL624616	WAL625949	WAL625989
S	800 (11603)	6	GSS 6 S m. 6kt M	M 14 x 1.5	4	16	6.2	WAL063763	WAL603960	WAL624617	WAL625950	WAL625990
		8	GSS 8 S m. 6kt M	M 16 x 1.5	4	16	9.0	WAL063764	WAL604963	WAL624618	WAL625951	WAL625991
		10	GSS 10 S m. 6kt M	M 18 x 1.5	4	16	11.3	WAL063765	WAL617063	WAL624619	WAL625952	WAL625992
	630 (9137)	12	GSS 12 S m. 6kt M	M 20 x 1.5	4	16	14.0	WAL063766	WAL604599	WAL624620	WAL625953	WAL625993
		14	GSS 14 S m. 6kt M	M 22 x 1.5	4	16	18.0	WAL063767	WAL617484			
	400 (5801)	16	GSS 16 S m. 6kt M	M 24 x 1.5	4	16	17.5	WAL063768	WAL372243	WAL624621	WAL625954	WAL625994
		20	GSS 20 S m. 6kt M	M 30 x 2	5	16	33.2	WAL063769	WAL370731	WAL624622	WAL625955	WAL625995
		25	GSS 25 S m. 6kt M	M 36 x 2	5	16	49.5	WAL063770	WAL372244	WAL624623	WAL625956	WAL625996
		30	GSS 30 S m. 6kt M	M 42 x 2	5	16	66.4	WAL063771	WAL617485	WAL624624	WAL625957	WAL625997
		38	GSS 38 S m. 6kt M	M 52 x 2	5	16	105.9	WAL063772	WAL604964	WAL624625	WAL625958	WAL625998

**⚠ Caution:** The pressure specifications refer to the steel version. For the stainless steel version (1.4571), please refer to the pressure specifications on page B5.

Special parts are available on request.