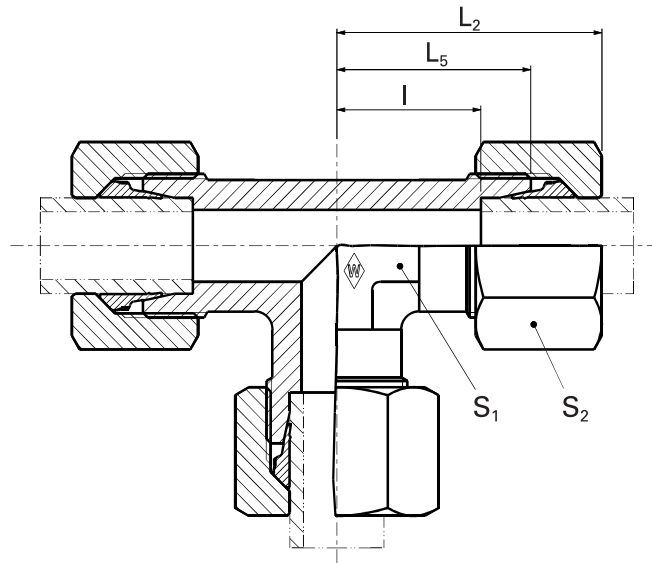


T fittings

P-TV ...

P-TV ... -1.4571

E

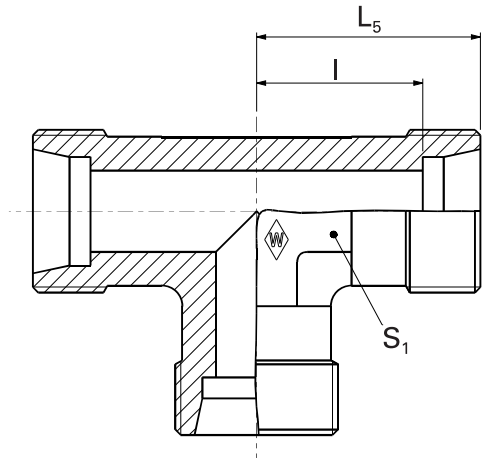


Series	PN bar (psi)	Tube outer diameter	Model	kg/100 pc.	L ₂	L ₅	I	S ₁	S ₂	WALPRO P-TV ... Art. no.	WALPRO stainless steel P-TV ...-1.4571* Art. no.
LL	100 (1450)	4	S-TV 4 LL	2.8	21	15	11	8	10	WAL038600	WAL609123
		6	S-TV 6 LL	3.7	21	15	9.5	10	12	WAL038602	WAL065338
		8	S-TV 8 LL	5.1	23	17	11.5	12	14	WAL038603	WAL065340
L	500 (7252)	6	P-TV 6 L	7.1	27	19	12	12	14	WAL373408	WAL620093
		8	P-TV 8 L	10.1	29	21	14	14	17	WAL373409	WAL620094
		10	P-TV 10 L	13.0	30	22	15	17	19	WAL373410	WAL620095
	400 (5801)	12	P-TV 12 L	17.7	32	24	17	19	22	WAL373411	WAL620096
		15	P-TV 15 L	23.2	36	28	21	19	27	WAL373412	WAL620097
		18	P-TV 18 L	35.4	40	31	23.5	24	32	WAL373413	WAL620098
250 (3626)	22	P-TV 22 L	44.3	44	35	27.5	27	36	WAL373414	WAL620099	
	28	P-TV 28 L	61.1	47	38	30.5	36	41	WAL373415	WAL620100	
	35	P-TV 35 L	90.1	56	45	34.5	41	50	WAL373416	WAL620101	
		42	P-TV 42 L	136.8	63	51	40	50	60	WAL373417	WAL620102
S	800 (11603)	6	P-TV 6 S	12.0	31	23	16	12	17	WAL373418	WAL620103
		8	P-TV 8 S	15.7	32	24	17	17	19	WAL373419	WAL620104
		10	P-TV 10 S	21.2	34	25	17.5	19	22	WAL373420	WAL620105
	630 (9137)	12	P-TV 12 S	28.5	38	29	21.5	22	24	WAL373421	WAL620106
		14	P-TV 14 S	28.5	40	30	22	19	27	WAL373422	WAL621643
		16	P-TV 16 S	35.7	43	33	24.5	24	30	WAL373423	WAL620107
	420 (6091)	20	P-TV 20 S	55.8	48	37	26.5	27	36	WAL373424	WAL620108
		25	P-TV 25 S	106.7	54	42	30	36	46	WAL373425	WAL620109
		30	P-TV 30 S	134.9	62	49	35.5	41	50	WAL373426	WAL620110
		38	P-TV 38 S	202.2	72	57	41	50	60	WAL373427	WAL620111

⚠ Caution: The pressure specifications refer to the steel version. For the stainless steel version (1.4571), please refer to the pressure specifications on page B5.
 *Complete stainless steel fittings (1.4571) with silver-plated nut (AG/AGP), see price list
 L₂= approximate dimension if the union nut is tightened

Special parts are available on request.

TS ...
TS ... -1.4571



E

System nuts for supplementing the stud
(for technical data, see part D of this catalog)

Series	PN bar (psi)	Tube outer diameter	Model	kg/100 pc.	DIN 2353	Stud TS ... Art. no.	Stud Stainless steel TS ... -1.4571* Art. no.	System nuts for supplementing the stud (for technical data, see part D of this catalog)		
								WALRING W-R ... VI Art. no.	WALFORM WF-M ... VI Art. no.	WALFORM stainless steel WF-M ... VI-1.4571* Art. no.
LL	100 (1450)	4	TS 4 LL	1.4	QLL 4	WAL037887	WAL617473			
		6	TS 6 LL	1.7	QLL 6	WAL037889	WAL065339			
		8	TS 8 LL	2.5	QLL 8	WAL037890	WAL065341			
L	500 (7252)	6	TS 6 L	3.4	QL 6	WAL037891	WAL025596	WAL624607	WAL625940	WAL625980
		8	TS 8 L	5.2	QL 8	WAL037892	WAL025597	WAL624608	WAL625941	WAL625981
		10	TS 10 L	6.3	QL 10	WAL037893	WAL025598	WAL624609	WAL625942	WAL625982
	400 (5801)	12	TS 12 L	8.6	QL 12	WAL037894	WAL025599	WAL624610	WAL625943	WAL625983
		15	TS 15 L	8.9	QL 15	WAL037895	WAL025600	WAL624611	WAL625944	WAL625984
		18	TS 18 L	14.7	QL 18	WAL037896	WAL025601	WAL624612	WAL625945	WAL625985
250 (3626)	22	TS 22 L	19.6	QL 22	WAL037897	WAL025602	WAL624613	WAL625946	WAL625986	
	28	TS 28 L	33.4	QL 28	WAL037898	WAL025603	WAL624614	WAL625947	WAL625987	
	35	TS 35 L	49.5	QL 35	WAL037899	WAL025604	WAL624615	WAL625948	WAL625988	
	42	TS 42 L	67.5	QL 42	WAL037900	WAL025605	WAL624616	WAL625949	WAL625989	
S	800 (11603)	6	TS 6 S	6.1	QS 6	WAL037901	WAL025606	WAL624617	WAL625950	WAL625990
		8	TS 8 S	8.6	QS 8	WAL037902	WAL025607	WAL624618	WAL625951	WAL625991
		10	TS 10 S	10.8	QS 10	WAL037903	WAL025608	WAL624619	WAL625952	WAL625992
	630 (9137)	12	TS 12 S	16.0	QS 12	WAL037904	WAL025609	WAL624620	WAL625953	WAL625993
		14	TS 14 S	13.2	QS 14	WAL037905	WAL025610			
		16	TS 16 S	16.0	QS 16	WAL037906	WAL025611	WAL624621	WAL625954	WAL625994
	420 (6091)	20	TS 20 S	26.8	QS 20	WAL037907	WAL025612	WAL624622	WAL625955	WAL625995
		25	TS 25 S	46.0	QS 25	WAL037908	WAL025613	WAL624623	WAL625956	WAL625996
		30	TS 30 S	71.4	QS 30	WAL037909	WAL025614	WAL624624	WAL625957	WAL625997
		38	TS 38 S	103.5	QS 38	WAL037910	WAL025615	WAL624625	WAL625958	WAL625998

⚠ Caution: The pressure specifications refer to the steel version. For the stainless steel version (1.4571), please refer to the pressure specifications on page B5.

Special parts are available on request.