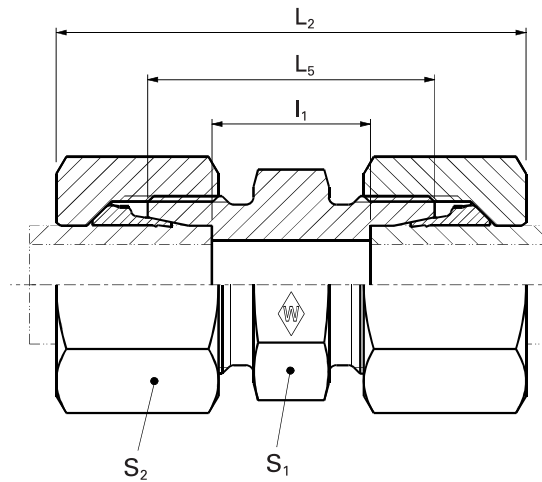


Straight fittings

P-GV ...

P-GV ... -1.4571



E

Series	PN bar (psi)	Tube outer diameter	Model	kg/ 100 pc.	L ₂	L ₅	I ₁	S ₁	S ₂	WALPRO P-GV ... Art. no.	WALPRO stainless steel P-GV ...-1.4571* Art. no.
LL	100 (1450)	4	S-GV 4 LL	1.4	31	20	12	9	10	WAL038557	WAL069960
		6	S-GV 6 LL	2.1	32	20	9	11	12	WAL038559	WAL066887
		8	S-GV 8 LL	2.6	35	23	12	12	14	WAL038560	WAL604827
L	500 (7252)	6	P-GV 6 L	3.5	39	24	10	12	14	WAL373362	WAL620055
		8	P-GV 8 L	4.9	40	25	11	14	17	WAL373363	WAL620056
		10	P-GV 10 L	6.9	42	27	13	17	19	WAL373364	WAL620057
	400 (5801)	12	P-GV 12 L	8.5	43	28	14	19	22	WAL373365	WAL620058
		15	P-GV 15 L	13.8	46	30	16	24	27	WAL373366	WAL620059
		18	P-GV 18 L	19.5	48	31	16	27	32	WAL373367	WAL620060
	250 (3626)	22	P-GV 22 L	26.2	52	35	20	32	36	WAL373368	WAL620061
		28	P-GV 28 L	31.5	54	36	21	41	41	WAL373369	WAL620062
		35	P-GV 35 L	49.4	63	41	20	46	50	WAL373370	WAL620063
42		P-GV 42 L	49.4	66	43	20	46	50	WAL373371	WAL620064	
S	800 (11603)	6	P-GV 6 S	5.9	45	30	16	14	17	WAL373372	WAL620065
		8	P-GV 8 S	7.8	47	32	18	17	19	WAL373373	WAL620066
		10	P-GV 10 S	11.0	49	32	17	19	22	WAL373374	WAL620067
	630 (9137)	12	P-GV 12 S	13.6	51	34	19	22	24	WAL373375	WAL620068
		14	P-GV 14 S	18.2	57	38	22	24	27	WAL373376	WAL621531
		16	P-GV 16 S	22.3	57	38	21	27	30	WAL373377	WAL620069
	420 (6091)	20	P-GV 20 S	34.7	66	44	23	32	36	WAL373378	WAL620070
		25	P-GV 25 S	66.9	74	50	26	41	46	WAL373379	WAL620071
		30	P-GV 30 S	80.9	80	54	27	46	50	WAL373380	WAL620072
		38	P-GV 38 S	119.4	90	61	29	55	60	WAL373381	WAL620073

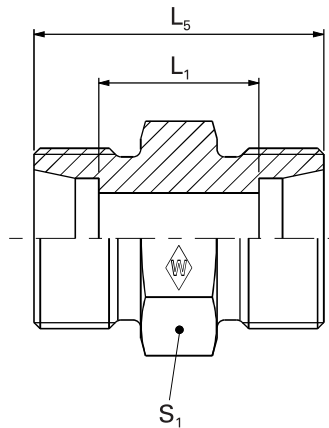
⚠ Caution: The pressure specifications refer to the steel version. For the stainless steel version (1.4571), please refer to the pressure specifications on page B5.

*Complete stainless steel fittings (1.4571) with silver-plated nut (AG/AGP), see price list

L₂= approximate dimension if the union nut is tightened

Special parts are available on request.

GS ...
GS ... -1.4571



E

System nuts for supplementing the stud
(for technical data, see part D of this catalog)

Series	PN bar (psi)	Tube outer diameter	Model	kg/100 pc.	Art. no.	Stud	System nuts for supplementing the stud		
						GS ...	WALRING	WALFORM	WALFORM
						Stainless steel	W-R ... VI	WF-M ... VI	stainless steel
						GS ... -1.4571*			WF-M ... VI-1.4571*
						Art. no.	Art. no.	Art. no.	Art. no.
LL	100 (1450)	4	GS 4 LL	0.6	WAL037844	WAL069017			
		6	GS 6 LL	0.7	WAL037846	WAL065349			
		8	GS 8 LL	1.1	WAL037847	WAL061565			
L	500 (7252)	6	GS 6 L	1.3	WAL037848	WAL025557	WAL624607	WAL625940	WAL625980
		8	GS 8 L	1.7	WAL037849	WAL025558	WAL624608	WAL625941	WAL625981
		10	GS 10 L	2.5	WAL037850	WAL025559	WAL624609	WAL625942	WAL625982
	400 (5801)	12	GS 12 L	2.8	WAL037851	WAL025560	WAL624610	WAL625943	WAL625983
		15	GS 15 L	4.8	WAL037852	WAL025561	WAL624611	WAL625944	WAL625984
		18	GS 18 L	6.6	WAL028736	WAL025562	WAL624612	WAL625945	WAL625985
	250 (3626)	22	GS 22 L	8.9	WAL028737	WAL025563	WAL624613	WAL625946	WAL625986
		28	GS 28 L	13.5	WAL028738	WAL025564	WAL624614	WAL625947	WAL625987
		35	GS 35 L	21.2	WAL028739	WAL025565	WAL624615	WAL625948	WAL625988
		42	GS 42 L	29.2	WAL028740	WAL025566	WAL624616	WAL625949	WAL625989
S	800 (11603)	6	GS 6 S	2.5	WAL037853	WAL029716	WAL624617	WAL625950	WAL625990
		8	GS 8 S	2.9	WAL037854	WAL025567	WAL624618	WAL625951	WAL625991
		10	GS 10 S	4.3	WAL037855	WAL025568	WAL624619	WAL625952	WAL625992
	630 (9137)	12	GS 12 S	6.0	WAL037856	WAL025569	WAL624620	WAL625953	WAL625993
		14	GS 14 S	7.5	WAL037857	WAL025570			
		16	GS 16 S	8.7	WAL037858	WAL025571	WAL624621	WAL625954	WAL625994
	420 (6091)	20	GS 20 S	14.2	WAL037859	WAL025572	WAL624622	WAL625955	WAL625995
		25	GS 25 S	24.9	WAL037860	WAL025573	WAL624623	WAL625956	WAL625996
		30	GS 30 S	32.8	WAL037861	WAL025574	WAL624624	WAL625957	WAL625997
		38	GS 38 S	54.0	WAL037862	WAL025575	WAL624625	WAL625958	WAL625998

⚠ Caution: The pressure specifications refer to the steel version. For the stainless steel version (1.4571), please refer to the pressure specifications on page B5.

Special parts are available on request.