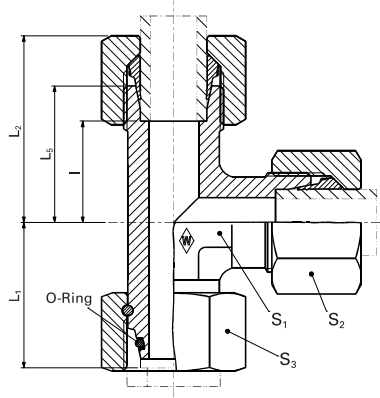


Adjustable L fittings

P-ELVD ...

P-ELVD ...-1.4571

- with taper and O-ring made from NBR* (e.g. Perbunan) for steel
- with taper and O-ring made from FKM (e.g. Viton) for stainless steel (1.4571)



F

Series	PN bar (psi)	Tube outer diameter	Model	kg/100 pc.	L ₁	L ₂	L ₅	l	S ₁	S ₂	S ₃	*O-ring	WALPRO P-ELVD...	WALPRO Stainless steel (1.4571) P-ELVD ... VI-1.4571**
L	500 (7252)	6	P-ELVD 6 L	5.3	26	29	21	14	14	14	17	4.5 x 1.5	WAL374594	WAL620653
		8	P-ELVD 8 L	8.0	27.5	29	21	14	14	17	17	6 x 1.5	WAL374595	WAL621360
		10	P-ELVD 10 L	10.9	29	30	22	15	17	19	19	8.5 x 1.5	WAL374596	WAL621109
	400 (5801)	12	P-ELVD 12 L	13.2	29.5	32	24	17	19	22	22	10 x 1.5	WAL372991	WAL620815
		15	P-ELVD 15 L	22.3	32.5	36	28	21	19	27	27	12 x 2	WAL374597	WAL620727
		18	P-ELVD 18 L	33.7	35.5	40	31	23.5	24	32	32	15 x 2	WAL374598	WAL621361
	250 (3626)	22	P-ELVD 22 L	43.9	38.5	44	35	27.5	27	36	36	20 x 2	WAL374599	WAL621362
		28	P-ELVD 28 L	56.8	41.5	47	38	30.5	36	41	46	26 x 2	WAL374600	WAL621363
		35	P-ELVD 35 L	90.5	51	56	45	34.5	41	50	50	32 x 2.5	WAL374601	WAL621364
		42	P-ELVD 42 L	134.4	56	63	51	40	50	60	60	38 x 2.5	WAL374602	WAL621365
S	800 (11603)	6	P-ELVD 6 S	8.9	27	31	23	16	14	17	17	4.5 x 1.5	WAL374603	WAL620864
		8	P-ELVD 8 S	10.9	27.5	32	24	17	17	19	19	6 x 1.5	WAL374604	WAL621110
		10	P-ELVD 10 S	17.0	30	34	25	17.5	19	22	22	8.5 x 1.5	WAL374605	WAL621366
	630 (9137)	12	P-ELVD 12 S	21.2	31	38	29	21.5	22	24	24	10 x 1.5	WAL374606	WAL620587
		14	P-ELVD 14 S	27.7	35	40	30	22	19	27	27	12 x 2	WAL374607	WAL621111
		16	P-ELVD 16 S	34.5	36.5	43	33	24.5	24	30	30	14 x 2	WAL374608	WAL621112
	420 (6091)	20	P-ELVD 20 S	54.8	44.5	48	37	26.5	27	36	36	17.3 x 2.4	WAL374609	WAL620588
		25	P-ELVD 25 S	103.6	50	54	42	30	36	46	46	22.3 x 2.4	WAL374610	WAL621367
	400 (5801)	30	P-ELVD 30 S	134.1	55	62	49	35.5	41	50	50	27.3 x 2.4	WAL374611	WAL621113
		38	P-ELVD 38 S	196.4	63	72	57	41	50	60	60	35 x 2.5	WAL374612	WAL621114

⚠ Caution: The pressure specifications refer to the steel version. For the stainless steel version (1.4571), please refer to the pressure specifications on page B5.

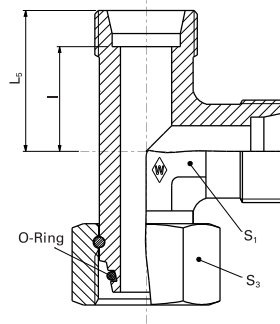
**Complete stainless steel fittings (1.4571) with silver-plated nut (AG/AGP), see price list

L₂= approximate dimension if the union nut is tightened

*For FPM (e.g. Viton) see price list / available on request

Special parts are available on request.

ELSD ... ELSD ...-1.4571



F

System nuts for supplementing the stud
(for technical data, see part D of this catalog)

Series	PN bar (psi)	Tube outer diameter	Model	kg/ 100 pc.	Stud ELSD ... Art. no.	Stud Stainless steel (1.4571) ELSD ... VI -1.4571 Art. no.	WALRING W-R ... VI Art. no.	WALFORM WF-M ... VI Art. no.	WALFORM Stainless steel (1.4571) WF-M ... VI -1.4571** Art. no.
L	500 (7252)	6	ELSD 6 L	4.6	WAL063917	WAL602804	WAL624607	WAL625940	WAL625980
		8	ELSD 8 L	7.0	WAL063918	WAL602774	WAL624608	WAL625941	WAL625981
		10	ELSD 10 L	9.0	WAL063919	WAL617610	WAL624609	WAL625942	WAL625982
	400 (5801)	12	ELSD 12 L	12.5	WAL063920	WAL618269	WAL624610	WAL625943	WAL625983
		15	ELSD 15 L	13.1	WAL063921	WAL371559	WAL624611	WAL625944	WAL625984
		18	ELSD 18 L	20.5	WAL063922	WAL618270	WAL624612	WAL625945	WAL625985
	250 (3626)	22	ELSD 22 L	28.0	WAL063923	WAL617611	WAL624613	WAL625946	WAL625986
		28	ELSD 28 L	49.0	WAL063924	WAL618271	WAL624614	WAL625947	WAL625987
		35	ELSD 35 L	65.0	WAL063925	WAL605999	WAL624615	WAL625948	WAL625988
		42	ELSD 42 L	100.0	WAL063926	WAL618272	WAL624616	WAL625949	WAL625989
S	800 (11603)	6	ELSD 6 S	8.0	WAL063927	WAL617612	WAL624617	WAL625950	WAL625990
		8	ELSD 8 S	11.0	WAL063928	WAL618273	WAL624618	WAL625951	WAL625991
		10	ELSD 10 S	14.0	WAL063929	WAL617613	WAL624619	WAL625952	WAL625992
	630 (9137)	12	ELSD 12 S	19.0	WAL063930	WAL605361	WAL624620	WAL625953	WAL625993
		14	ELSD 14 S	16.5	WAL063931	WAL617614			
	420 (6091)	16	ELSD 16 S	23.5	WAL063932	WAL618275	WAL624621	WAL625954	WAL625994
		20	ELSD 20 S	35.5	WAL063933	WAL605363	WAL624622	WAL625955	WAL625995
		25	ELSD 25 S	63.5	WAL063934	WAL618277	WAL624623	WAL625956	WAL625996
	400 (5801)	30	ELSD 30 S	88.0	WAL063935	WAL617615	WAL624624	WAL625957	WAL625997
		38	ELSD 38 S	130.0	WAL063936	WAL618278	WAL624625	WAL625958	WAL625998

⚠ Caution: The pressure specifications refer to the steel version. For the stainless steel version (1.4571), please refer to the pressure specifications on page B5.

Special parts are available on request.