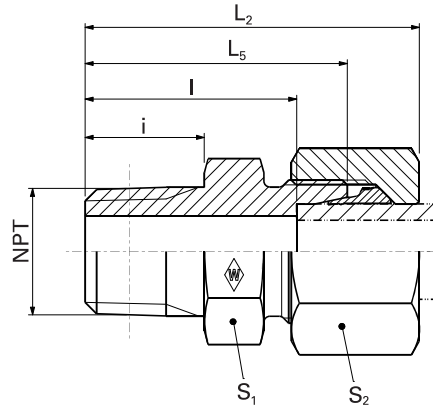


# Straight male fittings

## P-GEV ... NPT

### P-GEV ... NPT-1.4571

- Stud with NPT thread to ANSI/ASME B1.20.1-1983



E

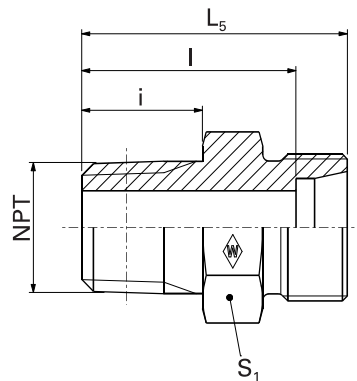
Series	PN bar (psi)	Tube outer diameter	Model	kg/100 pc.	NPT	L <sub>2</sub>	L <sub>5</sub>	L	i	S <sub>1</sub>	S <sub>2</sub>	WALPRO	WALPRO	
												P-GEV ...	stainless steel P-GEV ...-1.4571*	
													Art. no.	Art. no.
LL	100 (1450)	4	S-GEV 4 LL/1/8 NPT	1.5	1/8 NPT	28	22	18	10	11	10	WAL038241	WAL616310	
		6	S-GEV 6 LL/1/8 NPT	1.5	1/8 NPT	28	22	16.5	10	11	12	WAL038243	WAL602723	
		8	S-GEV 8 LL/1/8 NPT	2.0	1/8 NPT	30	24	18.5	10	12	14	WAL038244	WAL371302	
L	315 (4569)	6	P-GEV 6 L/1/8 NPT	2.6	1/8 NPT	32	24	17	10	12	14	WAL373026	WAL620123	
		6	P-GEV 6 L/1/4 NPT	3.9	1/4 NPT	38	30	23	15	17	14	WAL373027	WAL620124	
		8	P-GEV 8 L/1/4 NPT	4.0	1/4 NPT	38	30	23	15	17	17	WAL373028	WAL620128	
		10	P-GEV 10 L/1/4 NPT	4.8	1/4 NPT	39	31	24	15	17	19	WAL373029	WAL620147	
		10	P-GEV 10 L/3/8 NPT	6.0	3/8 NPT	40	32	25	15	19	19	WAL373030	WAL620213	
		12	P-GEV 12 L/1/4 NPT	6.0	1/4 NPT	40	32	25	15	19	22	WAL373031	WAL620203	
		12	P-GEV 12 L/3/8 NPT	6.5	3/8 NPT	40	32	25	15	19	22	WAL373032	WAL620210	
		12	P-GEV 12 L/1/2 NPT	8.5	1/2 NPT	45	37	30	20	24	22	WAL373033	WAL620157	
		15	P-GEV 15 L/1/2 NPT	11.0	1/2 NPT	46	38	31	20	24	27	WAL373034	WAL620211	
		18	P-GEV 18 L/1/2 NPT	13.5	1/2 NPT	48	39	31.5	20	27	32	WAL373035	WAL620161	
		22	P-GEV 22 L/3/4 NPT	19.0	3/4 NPT	50	41	33.5	20	32	36	WAL373036	WAL620260	
		L	160 (2321)	28	P-GEV 28 L/1 NPT	27.5	1 NPT	56	47	39.5	25	41	41	WAL373037
35	P-GEV 35 L/1 1/4 NPT			40.5	1 1/4 NPT	62	51	40.5	26	46	50	WAL373038	WAL620262	
42	P-GEV 42 L/1 1/2 NPT			57.0	1 1/2 NPT	65	53	42	26	55	60	WAL373039	WAL620422	
S	630 (9137)	6	P-GEV 6 S/1/4 NPT	5.0	1/4 NPT	43	35	28	15	17	17	WAL373040	WAL620189	
		8	P-GEV 8 S/1/4 NPT	5.5	1/4 NPT	43	35	28	15	17	19	WAL373041	WAL620523	
		10	P-GEV 10 S/1/4 NPT	8.5	1/4 NPT	44	35	27.5	15	19	22	WAL373042	WAL620659	
		10	P-GEV 10 S/3/8 NPT	8.0	3/8 NPT	44	35	27.5	15	19	22	WAL373043	WAL620370	
		12	P-GEV 12 S/1/4 NPT	9.5	1/4 NPT	46	37	29.5	15	22	24	WAL373044	WAL620660	
		12	P-GEV 12 S/3/8 NPT	10.0	3/8 NPT	46	37	29.5	15	22	24	WAL373045	WAL620491	
		12	P-GEV 12 S/1/2 NPT	12.5	1/2 NPT	51	42	34.5	20	24	24	WAL373046	WAL620294	
		14	P-GEV 14 S/1/2 NPT	15.5	1/2 NPT	54	44	36	20	24	27	WAL373047	WAL621499	
		16	P-GEV 16 S/1/2 NPT	16.0	1/2 NPT	54	44	35.5	20	27	30	WAL373048	WAL620214	
		20	P-GEV 20 S/3/4 NPT	25.0	3/4 NPT	59	48	37.5	20	32	36	WAL373049	WAL620212	
		25	P-GEV 25 S/1 NPT	47.5	1 NPT	69	57	45	25	41	46	WAL373050	WAL620482	
		30	P-GEV 30 S/1 1/4 NPT	62.0	1 1/4 NPT	73	60	46.5	26	46	50	WAL373051	WAL620497	
315 (4569)	38	P-GEV 38 S/1 1/2 NPT	89.0	1 1/2 NPT	80	65	49	26	55	60	WAL373052	WAL620948		

**⚠ Caution:** The pressure specifications refer to the steel version. For the stainless steel version (1.4571), please refer to the pressure specifications on page B5.  
 \*Complete stainless steel fittings (1.4571) with silver-plated nut (AG/AGP), see price list  
 L<sub>2</sub>= approximate dimension if the union nut is tightened

Special parts are available on request.

## GES ... NPT

### GES ... NPT-1.4571



E

System nuts for supplementing the stud  
(for technical data, see part D of this catalog)

Series	PN bar (psi)	Tube outer diameter	Model	kg/100 pc.	NPT	Art. no.	Stud GES ...	Stud Stainless steel GES ... -1.4571*	System nuts for supplementing the stud (for technical data, see part D of this catalog)		
									WALRING W-R ... VI	WALFORM WF-M ... VI	WALFORM stainless steel WF-M ... VI-1.4571*
LL	100 (1450)	4	GES 4 LL/1/8 NPT	1.0	1/8 NPT	WAL037528	WAL617323				
		6	GES 6 LL/1/8 NPT	1.0	1/8 NPT	WAL037530	WAL602722				
		8	GES 8 LL/1/8 NPT	1.0	1/8 NPT	WAL037531	WAL371296				
L	315 (4569)	6	GES 6 L/1/8 NPT	1.2	1/8 NPT	WAL037532	WAL060038	WAL624607	WAL625940	WAL625980	
		6	GES 6 L/1/4 NPT	2.6	1/4 NPT	WAL037533	WAL060040	WAL624607	WAL625940	WAL625980	
		8	GES 8 L/1/4 NPT	2.6	1/4 NPT	WAL037534	WAL060234	WAL624608	WAL625941	WAL625981	
		10	GES 10 L/1/4 NPT	2.7	1/4 NPT	WAL037535	WAL061105	WAL624609	WAL625942	WAL625982	
		10	GES 10 L/3/8 NPT	3.7	3/8 NPT	WAL037536	WAL066871	WAL624609	WAL625942	WAL625982	
		12	GES 12 L/1/4 NPT	3.3	1/4 NPT	WAL037537	WAL061401	WAL624610	WAL625943	WAL625983	
		12	GES 12 L/3/8 NPT	3.6	3/8 NPT	WAL037538	WAL060294	WAL624610	WAL625943	WAL625983	
		12	GES 12 L/1/2 NPT	6.4	1/2 NPT	WAL037539	WAL061636	WAL624610	WAL625943	WAL625983	
		15	GES 15 L/1/2 NPT	6.3	1/2 NPT	WAL037540	WAL066642	WAL624611	WAL625944	WAL625984	
		18	GES 18 L/1/2 NPT	7.3	1/2 NPT	WAL037541	WAL027537	WAL624612	WAL625945	WAL625985	
		22	GES 22 L/3/4 NPT	10.1	3/4 NPT	WAL037542	WAL027539	WAL624613	WAL625946	WAL625986	
		28	GES 28 L/1 NPT	17.9	1 NPT	WAL037543	WAL067862	WAL624614	WAL625947	WAL625987	
		35	GES 35 L/1 1/4 NPT	25.7	1 1/4 NPT	WAL037544	WAL067863	WAL624615	WAL625948	WAL625988	
		42	GES 42 L/1 1/2 NPT	35.1	1 1/2 NPT	WAL037545	WAL604136	WAL624616	WAL625949	WAL625989	
		S	630 (9137)	6	GES 6 S/1/4 NPT	3.6	1/4 NPT	WAL037546	WAL066587	WAL624617	WAL625950
8	GES 8 S/1/4 NPT			3.8	1/4 NPT	WAL037547	WAL370917	WAL624618	WAL625951	WAL625991	
10	GES 10 S/1/4 NPT			4.2	1/4 NPT	WAL037548	WAL604274	WAL624619	WAL625952	WAL625992	
10	GES 10 S/3/8 NPT			4.9	3/8 NPT	WAL037549	WAL372983	WAL624619	WAL625952	WAL625992	
12	GES 12 S/1/4 NPT			5.8	1/4 NPT	WAL037550	WAL372802	WAL624620	WAL625953	WAL625993	
12	GES 12 S/3/8 NPT			6.1	3/8 NPT	WAL037551	WAL372822	WAL624620	WAL625953	WAL625993	
12	GES 12 S/1/2 NPT			8.4	1/2 NPT	WAL037552	WAL371154	WAL624620	WAL625953	WAL625993	
14	GES 14 S/1/2 NPT			9.0	1/2 NPT	WAL037553	WAL060715				
16	GES 16 S/1/2 NPT			9.3	1/2 NPT	WAL037554	WAL067067	WAL624621	WAL625954	WAL625994	
20	GES 20 S/3/4 NPT			14.9	3/4 NPT	WAL037555	WAL061817	WAL624622	WAL625955	WAL625995	
400 (5801)	25	GES 25 S/1 NPT	27.6	1 NPT	WAL037556	WAL604630	WAL624623	WAL625956	WAL625996		
	30	GES 30 S/1 1/4 NPT	40.0	1 1/4 NPT	WAL037557	WAL604724	WAL624624	WAL625957	WAL625997		
	315 (4569)	38	GES 38 S/1 1/2 NPT	57.4	1 1/2 NPT	WAL037558	WAL617363	WAL624625	WAL625958	WAL625998	

**⚠ Caution:** The pressure specifications refer to the steel version. For the stainless steel version (1.4571), please refer to the pressure specifications on page B5.

Special parts are available on request.