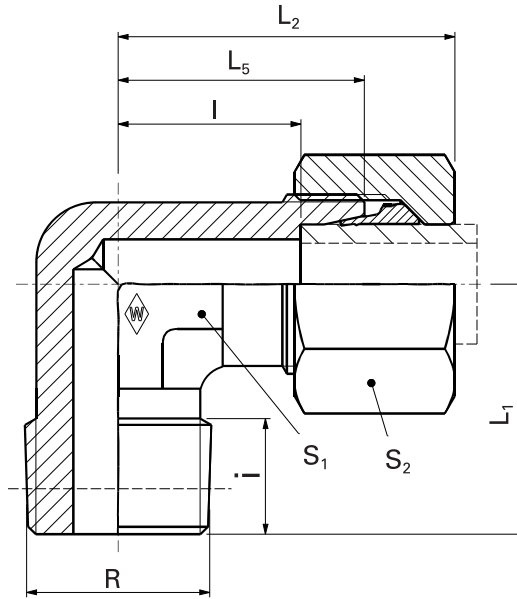


Male elbow fittings

P-WEV ... RK

P-WEV ... RK-1.4571

- Tapered studs type C to DIN 3852-2 with Whitworth thread



E

Series	PN bar (psi)	Tube outer diameter	Model	kg/100 pc.	R	L ₁	L ₂	L ₅	I	i	S ₁	S ₂	WALPRO P-WEV ...	WALPRO stainless steel P-WEV ...-1.4571*
													Art. no.	Art. no.
LL	100 (1450)	4	S-WEV 4 LLRK	2.1	R 1/8 taper	17	21	15	11	8	11	10	WAL038408	WAL616401
		6	S-WEV 6 LLRK	2.4	R 1/8 taper	17	21	15	9.5	8	11	12	WAL038410	WAL061404
		8	S-WEV 8 LLRK	3.4	R 1/8 taper	20	23	17	11.5	8	12	14	WAL038411	WAL065330
L	250 (3626)	6	P-WEV 6 LRK	4.0	R 1/8 taper	20	27	19	12	8	12	14	WAL373195	WAL620034
		6	P-WEV 6 L/R 1/4 K	6.0	R 1/4 taper	26	29	21	14	12	14	14	WAL373196	WAL620169
		8	P-WEV 8 LRK	6.6	R 1/4 taper	26	29	21	14	12	14	17	WAL373197	WAL620035
		10	P-WEV 10 LRK	8.3	R 1/4 taper	27	30	22	15	12	17	19	WAL373198	WAL620036
		10	P-WEV 10 L/R 3/8 K	9.0	R 3/8 taper	27	30	22	15	12	17	19	WAL373199	WAL620347
		12	P-WEV 12 L/R 1/4 K	11.4	R 1/4 taper	28	32	24	17	12	19	22	WAL373200	WAL620170
		12	P-WEV 12 LRK	11.8	R 3/8 taper	28	32	24	17	12	19	22	WAL373201	WAL620037
		15	P-WEV 15 LRK	13.0	R 1/2 taper	34	36	28	21	14	19	27	WAL373202	WAL620038
	160 (2321)	18	P-WEV 18 LRK	16.6	R 1/2 taper	36	40	31	23.5	14	24	32	WAL373203	WAL620039
S	630** (9137)	6	P-WEV 6 SRK	7.2	R 1/4 taper	26	31	23	16	12	14	17	WAL373204	WAL620040
		8	P-WEV 8 SRK	8.8	R 1/4 taper	27	32	24	17	12	17	19	WAL373205	WAL620041
		10	P-WEV 10 SRK	13.4	R 3/8 taper	28	34	25	17.5	12	19	22	WAL373206	WAL620042
		12	P-WEV 12 SRK	16.5	R 3/8 taper	28	38	29	21.5	12	22	24	WAL373207	WAL620043
		14	P-WEV 14 SRK	15.3	R 1/2 taper	32	40	30	22	14	19	27	WAL373208	WAL621648
	400 (5801)	16	P-WEV 16 SRK	17.9	R 1/2 taper	32	43	33	24.5	14	24	30	WAL373209	WAL620044

△ Caution: The pressure specifications refer to the steel version. For the stainless steel version (1.4571), please refer to the pressure specifications on page B5.

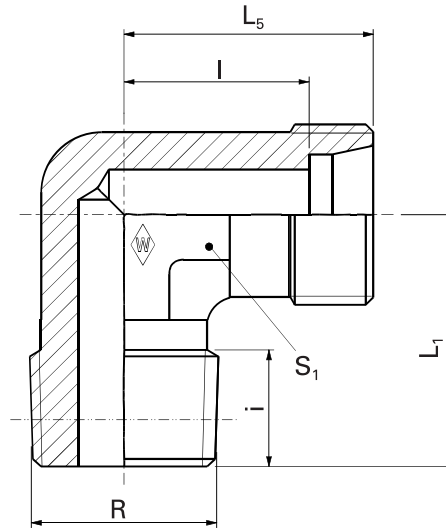
*Complete stainless steel fittings (1.4571) with silver-plated nut (AG/AGP), see price list

L₂= approximate dimension if the union nut is tightened

**The nominal pressure of 630 bar only applies to tapered ports; otherwise, the nominal pressure is 400 bar

Special parts are available on request.

WES ... RK
WES ... RK-1.4571



E

System nuts for supplementing the stud
 (for technical data, see part D of this catalog)

Series	PN bar (psi)	Tube outer diameter	Model	kg/100 pc.	R	Stud WES ... Art. no.	Stud Stainless steel WES ... -1.4571* Art. no.	WALRING W-R ... VI Art. no.	WALFORM WF-M ... VI Art. no.	WALFORM stainless steel WF-M ... VI-1.4571* Art. no.
LL	100 (1450)	4	WES 4 LLRK	1.7	R 1/8 taper	WAL037695	WAL617440			
		6	WES 6 LLRK	1.6	R 1/8 taper	WAL037697	WAL061405			
		8	WES 8 LLRK	2.2	R 1/8 taper	WAL037698	WAL065331			
L	250 (3626)	6	WES 6 LRK	2.8	R 1/8 taper	WAL037699	WAL025517	WAL624607	WAL625940	WAL625980
		6	WES 6 L/R 1/4 K	5.0	R 1/4 taper	WAL037700	WAL065333	WAL624607	WAL625940	WAL625980
		8	WES 8 LRK	4.6	R 1/4 taper	WAL037701	WAL025518	WAL624608	WAL625941	WAL625981
		10	WES 10 LRK	8.9	R 1/4 taper	WAL037702	WAL025519	WAL624609	WAL625942	WAL625982
		10	WES 10 L/R 3/8 K	6.8	R 3/8 taper	WAL037703	WAL024259	WAL624609	WAL625942	WAL625982
		12	WES 12 L/R 1/4 K	8.4	R 1/4 taper	WAL037704	WAL065335	WAL624610	WAL625943	WAL625983
		12	WES 12 LRK	8.9	R 3/8 taper	WAL037705	WAL025520	WAL624610	WAL625943	WAL625983
		15	WES 15 LRK	8.9	R 1/2 taper	WAL037706	WAL025521	WAL624611	WAL625944	WAL625984
	160 (2321)	18	WES 18 LRK	12.0	R 1/2 taper	WAL037707	WAL025522	WAL624612	WAL625945	WAL625985
S	630 ** (9137)	6	WES 6 SRK	5.4	R 1/4 taper	WAL037708	WAL025523	WAL624617	WAL625950	WAL625990
		8	WES 8 SRK	7.7	R 1/4 taper	WAL037709	WAL025524	WAL624618	WAL625951	WAL625991
		10	WES 10 SRK	10.1	R 3/8 taper	WAL037710	WAL025525	WAL624619	WAL625952	WAL625992
		12	WES 12 SRK	12.7	R 3/8 taper	WAL037711	WAL025526	WAL624620	WAL625953	WAL625993
		14	WES 14 SRK	10.6	R 1/2 taper	WAL037712	WAL025527			
		400 (5801)	16	WES 16 SRK	13.6	R 1/2 taper	WAL037713	WAL025528	WAL624621	WAL625954

⚠ Caution: The pressure specifications refer to the steel version. For the stainless steel version (1.4571), please refer to the pressure specifications on page B5.

Special parts are available on request.