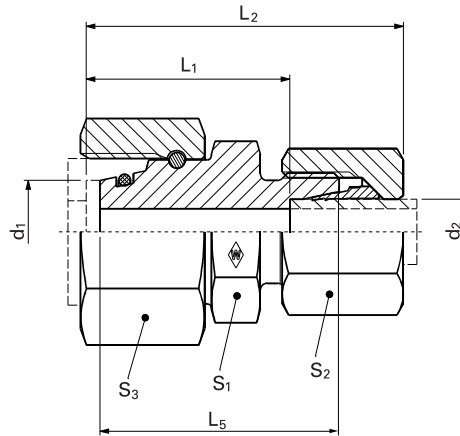


Reducer fittings

P-REDVDN ... / ...

P-REDVD ... / ...-1.4571

- S series
- With soft seal made from NBR** (e.g. Perbunan) for steel
- With soft seal made from FKM (e.g. Viton) for stainless steel (1.4571)



H

WALPRO stainless steel (1.4571) P-REDVDN ... / ... -VI-1.4571*

PN bar (psi)	d ₁	Tube outer diameter d ₂	Model	kg/100 pc.	L ₅	L ₂	L ₁	S ₁	S ₂	S ₃	*O-ring	Art. no.	Art. no.	
800 (11603)	8	6	P-REDVDN 8/6 S	6.5	32.5	41.5	27.0	14	17	19	6x1.5	WAL619164	WAL621411	
	10	6	P-REDVDN 10/6 S	7.7	33.0	42.0	27.5	17	17	22	8.5x1.5	WAL619165	WAL621412	
		8	P-REDVDN 10/8 S	9.0	33.0	42.0	27.5		19			WAL619166	WAL621413	
630 (9137)	12	6	P-REDVDN 12/6 S	10.0	35.5	44.5	30.0	19	17	24	10x1.5	WAL619167	WAL621414	
		8	P-REDVDN 12/8 S	9.4	35.5	44.5	30.0		19			WAL619168	WAL621415	
		10	P-REDVDN 12/10 S	11.5	35.5	45.0	29.5		22			WAL619169	WAL621416	
	14	6	P-REDVDN 14/6 S	10.2	36.5	46.0	31.5	22	17	27	12x2	WAL619170	WAL621417	
		8	P-REDVDN 14/8 S	11.1	36.5	46.0	31.5		19			WAL619171	WAL621418	
		10	P-REDVDN 14/10 S	13.4	36.5	46.5	31.0		22			WAL619172	WAL621419	
16	12	P-REDVDN 14/12 S	14.3	36.5	46.5	31.0	22	24	30	14x2	WAL619173	WAL621420		
	6	P-REDVDN 16/6 S	13.3	36.5	46.5	32.0		17			WAL619174	WAL621421		
	8	P-REDVDN 16/8 S	14.0	36.5	46.5	32.0		19			WAL619175	WAL621422		
420 (6091)	20	10	P-REDVDN 16/10 S	16.5	36.5	47.0	31.5	22	24	30	14x2	WAL619176	WAL621423	
		12	P-REDVDN 16/12 S	17.0	36.5	47.0	31.5					24	WAL619177	WAL621424
		14	P-REDVDN 16/14 S	18.3	38.5	50.5	33.0					24	27	30
	25	6	P-REDVDN 20/6 S	18.0	40.0	50.5	36.0	27	17	36	17.3x2.4	WAL619179	WAL621426	
		8	P-REDVDN 20/8 S	21.0	40.0	50.5	36.0		19			WAL619180	WAL621427	
		10	P-REDVDN 20/10 S	24.3	40.0	51.0	35.5		22			WAL619181	WAL621428	
420 (6091)	20	12	P-REDVDN 20/12 S	23.0	40.0	51.0	35.5	24	27	30	17.3x2.4	WAL619182	WAL621429	
		14	P-REDVDN 20/14 S	25.2	42.0	54.5	37.0					27	WAL619183	WAL621430
		16	P-REDVDN 20/16 S	26.6	42.0	54.5	38.5					30	WAL619184	WAL621431
	25	6	P-REDVDN 25/6 S	34.9	41.0	53.0	38.5	36	17	46	22.3x2.4	WAL619185	WAL621432	
		8	P-REDVDN 25/8 S	35.0	41.0	53.0	38.5		19			WAL619186	WAL621433	
		10	P-REDVDN 25/10 S	36.5	41.0	53.5	38.0		22			WAL619187	WAL621434	
25	12	P-REDVDN 25/12 S	37.0	41.0	53.5	38.0	27	24	46	22.3x2.4	WAL619188	WAL621435		
	14	P-REDVDN 25/14 S	40.5	43.0	57.0	39.5		27			WAL619189	WAL621436		
	16	P-REDVDN 25/16 S	41.0	43.0	57.0	39.0		30			WAL619190	WAL621437		
	20	P-REDVDN 25/20 S	47.5	45.0	60.0	39.0	36	WAL619191	WAL621438					

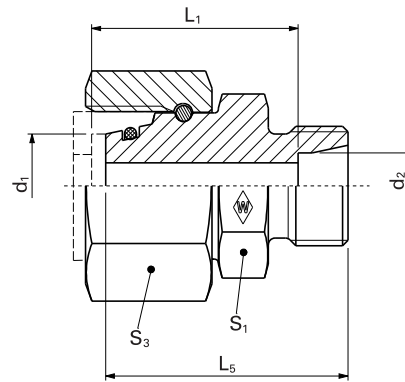
⚠ Caution: The pressure specifications refer to the steel version. For the stainless steel version (1.4571), please refer to the pressure specifications on page B5.

*For complete stainless steel fittings (1.4571) with silver-plated nut (AG/AGP), see price list

L₂ = approximate dimension if the union nut is tightened

**FPM (e.g. Viton) see price list / available on request

RESDSN ... / ... REDSD ... / ...-1.4571



H

System nuts for supplementing the stud
(for technical data, see part D of this catalog)

PN bar (psi)	d1	Tube outer diameter d ₂	Model	kg/ 100 pc.	Stud RESDSN ... / ...	Stud Stainless steel (1.4571) REDSD ... / ... VI-1.4571*	System nuts for supplementing the stud (for technical data, see part D of this catalog)		
							WALRING W-R ... VI	WALFORM WF-M ... VI	WALFORM stainless steel WF-M ... VI-1.4571*
					Art. no.	Art. no.	Art. no.	Art. no.	Art. no.
800 (11603)	8	6	RESDSN 8/6 S	4.5	WAL619075	WAL618425	WAL624617	WAL625950	WAL625990
		6	RESDSN 10/6 S	6.5	WAL619076	WAL618426	WAL624617	WAL625950	WAL625990
		8	RESDSN 10/8 S	6.5	WAL619077	WAL618427	WAL624618	WAL625951	WAL625991
	12	6	RESDSN 12/6 S	8.5	WAL619078	WAL618428	WAL624617	WAL625950	WAL625990
		8	RESDSN 12/8 S	8.5	WAL619079	WAL618429	WAL624618	WAL625951	WAL625991
		10	RESDSN 12/10 S	8.5	WAL619080	WAL618430	WAL624619	WAL625952	WAL625992
630 (9137)	14	6	RESDSN 14/6 S	11.1	WAL619081	WAL618431	WAL624617	WAL625950	WAL625990
		8	RESDSN 14/8 S	11.5	WAL619082	WAL618432	WAL624618	WAL625951	WAL625991
		10	RESDSN 14/10 S	10.2	WAL619083	WAL618433	WAL624619	WAL625952	WAL625992
	16	12	RESDSN 14/12 S	10.8	WAL619084	WAL618434	WAL624620	WAL625953	WAL625993
		6	RESDSN 16/6 S	11.5	WAL619085	WAL618435	WAL624617	WAL625950	WAL625990
		8	RESDSN 16/8 S	12.0	WAL619086	WAL618436	WAL624618	WAL625951	WAL625991
420 (6091)	20	10	RESDSN 16/10 S	13.0	WAL619087	WAL618437	WAL624619	WAL625952	WAL625992
		12	RESDSN 16/12 S	13.0	WAL619088	WAL618438	WAL624620	WAL625953	WAL625993
		14	RESDSN 16/14 S	19.2	WAL619089	WAL618439			
	25	6	RESDSN 20/6 S	16.2	WAL619090	WAL618440	WAL624617	WAL625950	WAL625990
		8	RESDSN 20/8 S	18.5	WAL619091	WAL618441	WAL624618	WAL625951	WAL625991
		10	RESDSN 20/10 S	18.5	WAL619092	WAL618442	WAL624619	WAL625952	WAL625992
420 (6091)	20	12	RESDSN 20/12 S	19.0	WAL619093	WAL067812	WAL624620	WAL625953	WAL625993
		14	RESDSN 20/14 S	24.0	WAL619094	WAL618443			
		16	RESDSN 20/16 S	19.2	WAL619095	WAL067813	WAL624621	WAL625954	WAL625994
		6	RESDSN 25/6 S	33.0	WAL619096	WAL618444	WAL624617	WAL625950	WAL625990
	25	8	RESDSN 25/8 S	33.0	WAL619097	WAL618445	WAL624618	WAL625951	WAL625991
		10	RESDSN 25/10 S	33.0	WAL619098	WAL618446	WAL624619	WAL625952	WAL625992
		12	RESDSN 25/12 S	33.5	WAL619099	WAL618447	WAL624620	WAL625953	WAL625993
		14	RESDSN 25/14 S	34.0	WAL619100	WAL618448			
25	16	RESDSN 25/16 S	34.0	WAL619101	WAL067814	WAL624621	WAL625954	WAL625994	
	20	RESDSN 25/20 S	35.0	WAL619102	WAL618449	WAL624622	WAL625955	WAL625995	

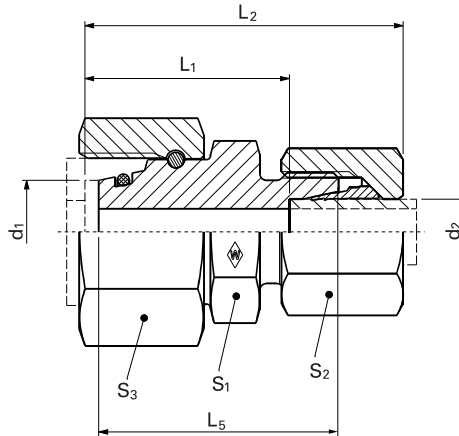
Caution: The pressure specifications refer to the steel version. For the stainless steel version (1.4571), please refer to the pressure specifications on page B5.

Reducer fittings

P-REDVDN ... / ...

P-REDVD ... / ...-1.4571

- S series
- With soft seal made from NBR** (e.g. Perbunan) for steel
- With soft seal made from FKM (e.g. Viton) for stainless steel (1.4571)



H

WALPRO
P-REDVDN
... / ...

WALPRO
Stainless steel
(1.4571)
P-REDVD ... / ...
VI-1.4571*

PN bar (psi)	d ₁	Tube outer diameter d ₂	Model	kg/ 100 pc.	L ₅	L ₂	L ₁	S ₁	S ₂	S ₃	*O-ring	Art. no.	Art. no.
30		6	P-REDVDN 30/6 S	43.0	45.0	58.5	44.0	41	17	50	27.3x2.4	WAL619192	WAL621439
		8	P-REDVDN 30/8 S	43.0	45.0	58.5	44.0		19			WAL619193	WAL621440
		10	P-REDVDN 30/10 S	44.0	45.0	59.0	43.5		22			WAL619194	WAL621441
		12	P-REDVDN 30/12 S	46.1	45.0	59.0	43.5		24			WAL619195	WAL621442
		14	P-REDVDN 30/14 S	47.9	47.0	62.5	45.0		27			WAL619196	WAL621443
		16	P-REDVDN 30/16 S	46.1	47.0	62.5	44.5		30			WAL619197	WAL621444
		20	P-REDVDN 30/20 S	53.9	49.0	65.5	44.5		36			WAL619198	WAL621445
420 (6091)		25	P-REDVDN 30/25 S	65.9	51.0	68.5	45.0	46	WAL619199	WAL621446			
		6	P-REDVDN 38/6 S	60.0	46.0	62.0	47.5	17	WAL619200	WAL621447			
		8t	P-REDVDN 38/8 S	60.0	46.0	62.0	47.5	19	WAL619201	WAL621448			
		10	P-REDVDN 38/10 S	60.5	46.0	62.5	47.0	22	WAL619202	WAL621449			
		12	P-REDVDN 38/12 S	63.1	46.0	62.5	47.0	24	WAL619203	WAL621450			
		14	P-REDVDN 38/14 S	66.7	48.0	66.0	48.5	27	60	35x2.5	WAL619204	WAL621451	
		16	P-REDVDN 38/16 S	68.0	48.0	66.0	48.0	30	WAL619205	WAL621452			
38		20	P-REDVDN 38/20 S	70.0	50.0	69.0	48.0	36	WAL619206	WAL621453			
		25	P-REDVDN 38/25 S	82.5	52.0	72.0	48.5	46	WAL619207	WAL621454			
		30	P-REDVDN 38/30 S	87.8	54.0	75.0	49.0	50	WAL619208	WAL621455			

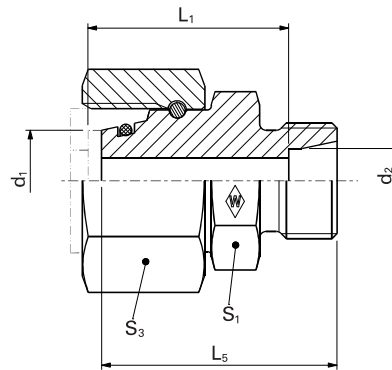
⚠ Caution: The pressure specifications refer to the steel version. For the stainless steel version (1.4571), please refer to the pressure specifications on page B5.

*For complete stainless steel fittings (1.4571) with silver-plated nut (AG/AGP), see price list

L₂= approximate dimension if the union nut is tightened

**FPM (e.g. Viton) see price list / available on request

REDSDN ... / ... REDSD ... / ...-1.4571



H

System nuts for supplementing the stud
(for technical data, see part D of this catalog)

PN bar (psi)	d1	Tube outer diameter d ₂	Model	kg/ 100 pc.	Stud	Stud	WALRING W-R ... VI	WALFORM WF-M ... VI	WALFORM stainless steel WF-M ... VI-1.4571*
					REDSDN ... / ...	Stainless steel (1.4571) REDSD ... / ... VI-1.4571*			
420 (6091)	30	6	REDSDN 30/6 S	40.5	WAL619103	WAL618450	WAL624617	WAL625950	WAL625990
		8	REDSDN 30/8 S	41.0	WAL619104	WAL618451	WAL624618	WAL625951	WAL625991
		10	REDSDN 30/10 S	41.5	WAL619105	WAL618452	WAL624619	WAL625952	WAL625992
		12	REDSDN 30/12 S	41.5	WAL619106	WAL618453	WAL624620	WAL625953	WAL625993
		14	REDSDN 30/14 S	47.0	WAL619107	WAL618454			
		16	REDSDN 30/16 S	41.5	WAL619108	WAL618455	WAL624621	WAL625954	WAL625994
		20	REDSDN 30/20 S	43.0	WAL619109	WAL067815	WAL624622	WAL625955	WAL625995
	25	REDSDN 30/25 S	46.0	WAL619110	WAL618456	WAL624623	WAL625956	WAL625996	
	38	6	REDSDN 38/6 S	57.0	WAL619111	WAL618457	WAL624617	WAL625950	WAL625990
		8	REDSDN 38/8 S	57.5	WAL619112	WAL618458	WAL624618	WAL625951	WAL625991
10		REDSDN 38/10 S	58.0	WAL619113	WAL618459	WAL624619	WAL625952	WAL625992	
12		REDSDN 38/12 S	57.5	WAL619114	WAL618460	WAL624620	WAL625953	WAL625993	
14		REDSDN 38/14 S	67.2	WAL619115	WAL618461				
16		REDSDN 38/16 S	58.5	WAL619116	WAL618462	WAL624621	WAL625954	WAL625994	
20		REDSDN 38/20 S	59.0	WAL619117	WAL618463	WAL624622	WAL625955	WAL625995	
25	REDSDN 38/25 S	61.0	WAL619118	WAL618464	WAL624623	WAL625956	WAL625996		
30	REDSDN 38/30 S	67.5	WAL619119	WAL067816	WAL624624	WAL625957	WAL625997		

⚠ Caution: The pressure specifications refer to the steel version. For the stainless steel version (1.4571), please refer to the pressure specifications on page B5.