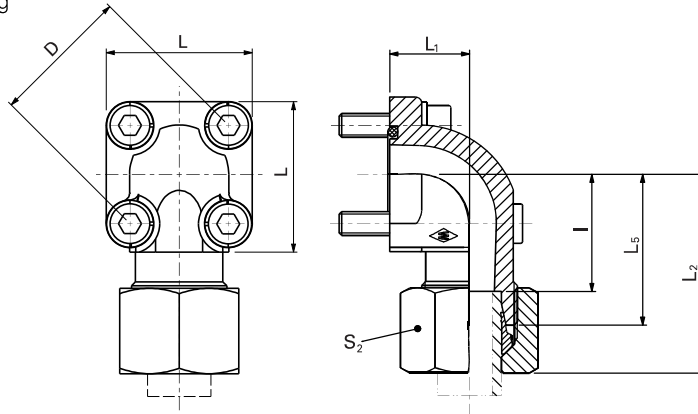


# Elbow flange fittings

## P-WFV ...

- For four-hole mounting



H

WALPRO  
P-WFV...

D	Series	PN bar (psi)	Tube outer diameter	Model	kg/100 pc.	L	L <sub>1</sub>	L <sub>2</sub>	L <sub>5</sub>	l	S <sub>2</sub>	Art. no.
35	L	315 (4569)	10	<b>P-WFV 10 L-35*</b>	19.8	39	16.5	44.5	37.5	30.5	19	<b>WAL374289</b>
			12	<b>P-WFV 12 L-35*</b>	20.2	39	16.5	44.5	37.5	30.5	22	<b>WAL374290</b>
	S	250 (3626)	15	<b>P-WFV 15 L-35*</b>	21.9	39	16.5	45	37	30	27	<b>WAL374291</b>
			16	<b>P-WFV 16 S-35**</b>	26.2	39	20	47.5	38	29.5	30	<b>WAL374292</b>
			20	<b>P-WFV 20 S-35**</b>	39.4	39	25	56	45	34.5	36	<b>WAL374293</b>
40	L	100 (1450)	15	<b>P-WFV 15 L-40*</b>	23.3	42	22.5	45	37	30	27	<b>WAL374294</b>
			18	<b>P-WFV 18 L-40*</b>	25.3	42	22.5	46.5	38	30.5	32	<b>WAL374295</b>
			22	<b>P-WFV 22 L-40**</b>	27.5	42	22.5	46.5	38	30.5	36	<b>WAL374296</b>
			28	<b>P-WFV 28 L-40**</b>	37.1	42	28	49	40	32.5	41	<b>WAL374297</b>
	S	250 (3626)	20	<b>P-WFV 20 S-40**</b>	34.4	42	22.5	51	40	29.5	36	<b>WAL374299</b>
55	L	100 (1450)	22	<b>P-WFV 22 L-55**</b>	60.5	58	24	52	43	35.5	36	<b>WAL374719</b>
			35	<b>P-WFV 35 L-55**</b>	68.8	58	32	60	49	35.5	50	<b>WAL374300</b>
			42	<b>P-WFV 42 L-55**</b>	90.9	58	40	60.5	49	38	60	<b>WAL374301</b>
	S	250 (3626)	20	<b>P-WFV 20 S-55**</b>	58.5	58	24	56	45	34.5	36	<b>WAL374302</b>
			25	<b>P-WFV 25 S-55*</b>	78.4	58	30	61	49	37	46	<b>WAL374303</b>
			30	<b>P-WFV 30 S-55**</b>	77.1	58	32	62	49	35.5	50	<b>WAL374304</b>

L<sub>2</sub> = approximate dimension if the union nut is tightened

Accessories such as hexagon socket screws, spring washers and O-rings are included in the delivery but come unassembled.

\*Forged part

\*\*Cast part