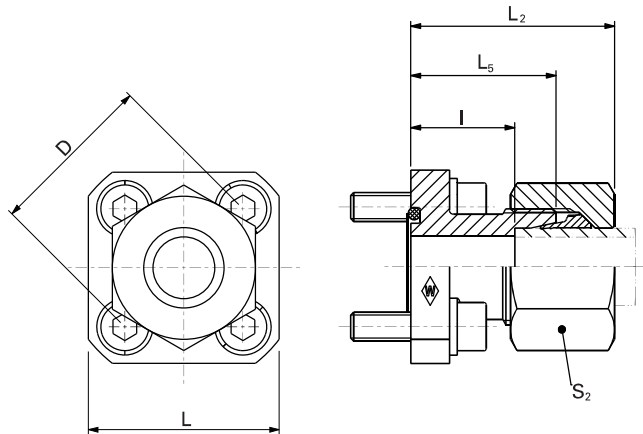


Straight flange fittings

P-GFV ...

- For four-hole mounting



H

WALPRO
P-GFV...

D	Series	PN bar (psi)	Tube outer diameter	Model	kg/ 100 pc.	L	L ₂	L ₅	I	S ₂	Art. no.
35	L	315 (4569)	10	P-GFV 10 L-35	13.5	39	37.5	30	23	19	WAL374282
			12	P-GFV 12 L-35	14.4	39	37.5	30	23	22	WAL374283
	S	250 (3626)	15	P-GFV 15 L-35	16.3	39	38	30	23	27	WAL374284
			16	P-GFV 16 S-35	20.0	39	39.5	30	21.5	30	WAL374285
40	L	100 (1450)	15	P-GFV 15 L-40	18.6	42	43	35	28	27	WAL374286
			18	P-GFV 18 L-40	23.1	42	43.5	35	27.5	32	WAL374287
			22	P-GFV 22 L-40	23.8	42	43.5	35	27.5	36	WAL374288
			28	P-GFV 28 L-40	25.2	41	51	42	34.5	41	WAL374717
55	S	250 (3626)	20	P-GFV 20 S-55	52.5	55	51	40	29.5	36	WAL374718

L₂ = approximate dimension if the union nut is tightened.

Accessories such as hexagon socket screws, spring washers and O-rings are included in the delivery but come unassembled.