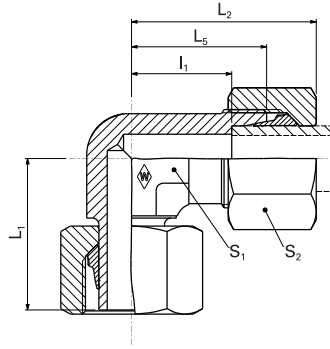


Adjustable elbow fittings

P-EWV ... -SV

P-EWV ... -SV-1.4571

- with pre-assembled standpipe



F

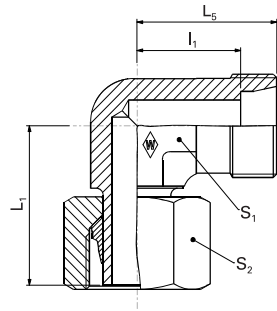
Series	PN bar (psi)	Tube outer diameter	Model	kg/ 100 pc.	L ₁	L ₂	L ₅	I ₅	S ₁	S ₂	WALPRO P-EWV... SV Art. no.	WALPRO Stainless steel (1.4571) P-EWV ... SV-1.4571* Art. no.
L	500 (7252)	6	P-EWV 6 L-SV	3.6	26	27	19	12	12	14	WAL373636	WAL620232
		8	P-EWV 8 L-SV	5.0	27.5	29	21	14	12	17	WAL373637	WAL620372
		10	P-EWV 10 L-SV	6.9	29	30	22	15	14	19	WAL373638	WAL620268
	400 (5801)	12	P-EWV 12 L-SV	9.2	29.5	32	24	17	17	22	WAL373639	WAL620226
		15	P-EWV 15 L-SV	15.4	32.5	36	28	21	19	27	WAL373640	WAL620340
		18	P-EWV 18 L-SV	22.5	35.5	40	31	23.5	24	32	WAL373641	WAL620508
250 (3626)	22	P-EWV 22 L-SV	30.4	38.5	44	35	27.5	27	36	WAL373642	WAL620280	
	28	P-EWV 28 L-SV	42.6	41.5	47	38	30.5	36	41	WAL373643	WAL620337	
S	800 (11603)	6	P-EWV 6 S-SV	5.8	27	31	23	16	12	17	WAL373646	WAL620330
		8	P-EWV 8 S-SV	7.0	27.5	32	24	17	14	19	WAL373647	WAL620465
		10	P-EWV 10 S-SV	11.2	30	34	25	17.5	17	22	WAL373648	WAL620319
	630 (9137)	12	P-EWV 12 S-SV	13.8	31	38	29	21.5	27	24	WAL373649	WAL620320
		14	P-EWV 14 S-SV	19.0	35	40	30	22	19	27	WAL373650	WAL620542
		16	P-EWV 16 S-SV	23.8	36.5	43	33	24.5	24	30	WAL373651	WAL620248

⚠ Caution: The pressure specifications refer to the steel version. For the stainless steel version (1.4571), please refer to the pressure specifications on page B5.
 *Complete stainless steel fittings (1.4571) with silver-plated nut (AG/AGP), see price list
 L₂= approximate dimension if the union nut is tightened

Special parts are available on request.

P-EWS ... -SV

P-EWS ... -SV-1.4571



F

System nuts for supplementing the stud
(for technical data, see part D of this catalog)

Series	PN bar (psi)	Tube outer diameter	Model	kg/ 100 pc.	Art. no.	Stud	Art. no.	WALRING W-R ... VI	WALFORM WF-M ... VI	WALFORM Stainless steel (1.4571) WF-M ... VI -1.4571**
						P-EWS ... -SV				
L	500 (7252)	6	P-EWS 6 L-SV	2.5	WAL602582	WAL621226	WAL624607	WAL625940	WAL625980	
		8	P-EWS 8 L-SV	4	WAL602579	WAL621227	WAL624608	WAL625941	WAL625981	
		10	P-EWS 10 L-SV	5	WAL374926	WAL620332	WAL624609	WAL625942	WAL625982	
	400 (5801)	12	P-EWS 12 L-SV	7.5	WAL374927	WAL620651	WAL624610	WAL625943	WAL625983	
		15	P-EWS 15 L-SV	12.5	WAL374928	WAL620604	WAL624611	WAL625944	WAL625984	
		18	P-EWS 18 L-SV	17.5	WAL602501	WAL620336	WAL624612	WAL625945	WAL625985	
250 (3626)	22	P-EWS 22 L-SV	23	WAL602464	WAL620380	WAL624613	WAL625946	WAL625986		
	28	P-EWS 28 L-SV	34.5	WAL602465	WAL621228	WAL624614	WAL625947	WAL625987		
S	800 (11603)	6	P-EWS 6 S-SV	4.5	WAL602696	WAL620594	WAL624617	WAL625950	WAL625990	
		8	P-EWS 8 S-SV	6	WAL602881	WAL620655	WAL624618	WAL625951	WAL625991	
		10	P-EWS 10 S-SV	8.5	WAL602697	WAL621230	WAL624619	WAL625952	WAL625992	
	630 (9137)	12	P-EWS 12 S-SV	8.5	WAL602593	WAL621231	WAL624620	WAL625953	WAL625993	
		14	P-EWS 14 S-SV	13.9	WAL604826	WAL621232				
		16	P-EWS 16 S-SV	16.5	WAL602698	WAL620321	WAL624621	WAL625954	WAL625994	

⚠ Caution: The pressure specifications refer to the steel version. For the stainless steel version (1.4571), please refer to the pressure specifications on page B5.

Special parts are available on request.