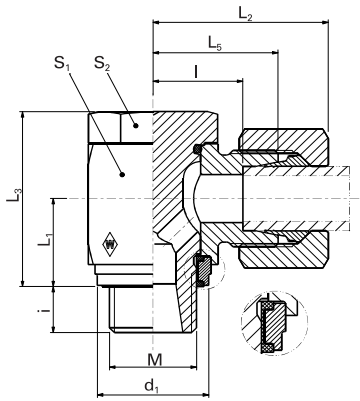


Banjo coupling elbow fittings

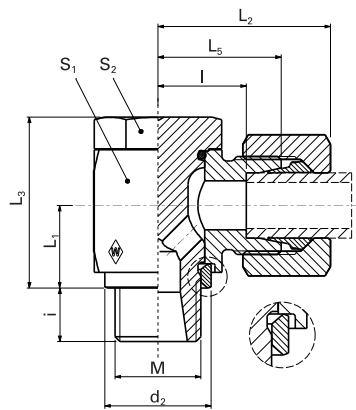
P-RSWV ... M-WD

- Metric stud type E to DIN EN ISO 9974-2
- with soft seal made from NBR* (e.g. Perbunan)



P-RSWV ... M

- Metric stud type B to DIN EN ISO 9974-3
- with metal-to-metal seal



F

Series	PB bar (psi)	Tube outer diameter	M	kg/100 pc.	P-RSWV with elastomer seal										P-RSWV with metal-to-metal seal				
					L ₁	L ₂	L ₃	L ₅	I	i	d ₁ max.	d ₂	S ₁	S ₂	Model	Art. no.	Model	Art. no.	
LL	100 (1450)	4	M 8 x 1	3.4	8	22.5	17	17	13	6		12.5	12	12			P-RSWV 4LLM	WAL607024	
		6	M 10 x 1	4.2	10	26	21	20	14.5	8		14.5	14	14			P-RSWV 6LLM	WAL607025	
		8	M 10 x 1	4.5	10	26	21	20	14.5	8		14.5	14	14			P-RSWV 8LLM	WAL607026	
	500 (7252)	6	M 10 x 1	5.9	10	27.5	21	20	13	8	14.9	13	14	14	P-RSWV 6LM-WD	WAL607075	P-RSWV 6LM	WAL607027	
		8	M 12 x 1.5	9.0	13.5	28.5	27	21	14	10	17.9	17.8	19	19	P-RSWV 8LM-WD	WAL607076	P-RSWV 8LM	WAL607028	
		10	M 14 x 1.5	10.3	13.5	29.5	27	22	15	10	19.9	17.8	19	19	P-RSWV 10LM-WD	WAL607077	P-RSWV 10LM	WAL607029	
	400 (5801)	12	M 16 x 1.5	15.8	16	32	32.5	24.5	17.5	10	21.9	21	24	22	P-RSWV 12LM-WD	WAL607078	P-RSWV 12LM	WAL607030	
		315 (4569)	12	M 18 x 1.5	16.9	18.5	34.5	36	27	20	10	23.9	23	24	22	P-RSWV 12L/M18x1.5-WD	WAL607079	P-RSWV 12L/M18x1.5	WAL607031
		400 (5801)	15	M 18 x 1.5	20.9	18.5	35	37	27	20	10	23.9	23	27	24	P-RSWV 15LM-WD	WAL607080	P-RSWV 15LM	WAL607032
	250 (3626)	18	M 22 x 1.5	31.9	21.5	36.5	43	28	20.5	12	27.9	27	30	27	P-RSWV 18LM-WD	WAL607081	P-RSWV 18LM	WAL607033	
		22	M 26 x 1.5	48.6	24	43	48	34.5	27	16	31.9	31	36	32	P-RSWV 22LM-WD	WAL607082	P-RSWV 22LM	WAL607034	
		28	M 33 x 2	88.5	30.5	48	59	39	31.5	18	39.9	39	46	41	P-RSWV 28LM-WD	WAL607083	P-RSWV 28LM	WAL607035	
	500 (7252)	35	M 42 x 2	151	35.5	57	70	46	35.5	20	49.9	49	55	50	P-RSWV 35LM-WD	WAL607084	P-RSWV 35LM	WAL607036	
		42	M 48 x 2	234	40.5	62.5	80	51	40	22	55.9	55	65	55	P-RSWV 42LM-WD	WAL607085	P-RSWV 42LM	WAL607037	
		6	M 12 x 1.5	8.5	13.5	30.5	27	23	16	10	17.9	17.8	19	19	P-RSWV 6SM-WD	WAL607086	P-RSWV 6SM	WAL607038	
	400 (5801)	8	M 14 x 1.5	10.4	13.5	30.5	27	23	16	10	19.9	17.8	19	19	P-RSWV 8SM-WD	WAL607087	P-RSWV 8SM	WAL607039	
		10	M 16 x 1.5	16.9	16	34	32.5	25.5	18	10	21.9	21	24	22	P-RSWV 10SM-WD	WAL607088	P-RSWV 10SM	WAL607040	
		12	M 18 x 1.5	22.2	18.5	35.5	37	27	19.5	10	23.9	23	27	24	P-RSWV 12SM-WD	WAL607089	P-RSWV 12SM	WAL607041	
S	250 (3626)	14	M 20 x 1.5	28.0	19.5	39.5	41	30	22	12		25	30	27			P-RSWV 14SM	WAL607042	
		16	M 22 x 1.5	32.3	21.5	39.5	43	30	21.5	12	27.9	27	30	27	P-RSWV 16SM-WD	WAL607091	P-RSWV 16SM	WAL607043	
		315 (4569)	20	M 27 x 2	51.9	24	47.5	48	36.5	26	16	32.9	32	36	32	P-RSWV 20SM-WD	WAL607092	P-RSWV 20SM	WAL607044
	250 (3626)	25	M 33 x 2	103.3	30.5	55	59	43	31	18	39.9	39	46	41	P-RSWV 25SM-WD	WAL607093	P-RSWV 25SM	WAL607045	
		30	M 42 x 2	163.9	35.5	63	70	50	36.5	20	49.9	49	55	50	P-RSWV 30SM-WD	WAL607094	P-RSWV 30SM	WAL607046	
		38	M 48 x 2	252.7	40.5	71.5	80	57	41	22	55.9	55	65	55	P-RSWV 38SM-WD	WAL607095	P-RSWV 38SM	WAL607047	

L₂= approximate dimension if the union nut is tightened

*For FPM (e.g. Viton) see price list / available on request

For P-RSWV and RSWS in stainless steel (1.4571), see price list / available on request

Operating pressure

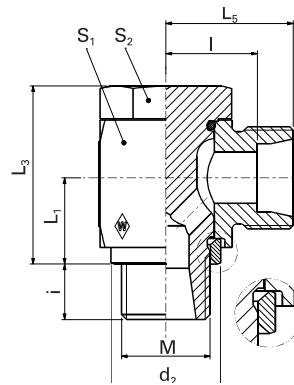
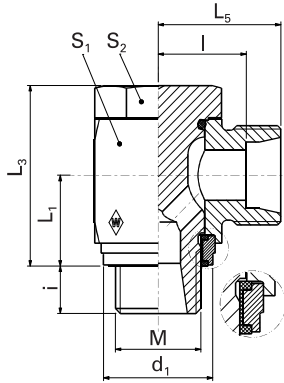
The specified operating pressure ratings (PB) are calculated with a minimum safety factor of 2.5 and represent the maximum permissible operating pressures under predominantly static load conditions and temperatures of up to +120 °C (in the case of steel). Strong pressure surges and mechanical stresses, such as vibrations, require special consideration.

If the version with metal-to-metal sealing edge is used for special applications (e.g. higher temperatures or aggressive media), the banjo bolt O-ring must be removed!

Special parts are available on request.

RSWS ... M-WD

RSWS ... M



F

Individual components

RSWS with elastomer seal		RSWS with metal-to-metal seal		Body	Banjo bolt with O-ring (NBR)*	O-ring (NBR)*	Captive ring with soft seal (NBR)*	Sealing-edge ring
Model	Art. no.	Model	Art. no.	Art. no.	Art. no.	Dimensions	Art. no.	Art. no.
		RSWS 4LLM	WAL606678	WAL608332	WAL606514	6.5 x 1.5	WAL605948	WAL608323
		RSWS 6LLM	WAL607325	WAL608334	WAL606515	8.5 x 1.5	WAL304288	WAL605824
		RSWS 8LLM	WAL606679	WAL608335	WAL606515	8.5 x 1.5	WAL304288	WAL605824
RSWS 6LM-WD	WAL606389	RSWS 6LM	WAL606640	WAL605763	WAL606515	8.5 x 1.5	WAL304288	WAL606481
RSWS 8LM-WD	WAL606390	RSWS 8LM	WAL606680	WAL605766	WAL606517	11 x 2	WAL023492	WAL606483
RSWS 10LM-WD	WAL606391	RSWS 10LM	WAL607321	WAL605768	WAL606518	11 x 2	WAL023492	WAL606484
RSWS 12LM-WD	WAL606392	RSWS 12LM	WAL606681	WAL605770	WAL606520	14.5 x 2	WAL605949	WAL606485
RSWS 12L/M18x1.5-WD	WAL606393	RSWS 12L/M18x1.5	WAL606682	WAL607124	WAL606521	14.5 x 2	WAL605949	WAL606500
RSWS 15LM-WD	WAL606394	RSWS 15LM	WAL606683	WAL605773	WAL606524	16.5 x 2	WAL605950	WAL606486
RSWS 18LM-WD	WAL606395	RSWS 18LM	WAL606684	WAL605777	WAL606526	19.5 x 2	WAL605951	WAL606490
RSWS 22LM-WD	WAL606396	RSWS 22LM	WAL606685	WAL605779	WAL607399	26 x 1.5	WAL605952	WAL606491
RSWS 28LM-WD	WAL606397	RSWS 28LM	WAL606686	WAL605781	WAL607402	31 x 2	WAL250258	WAL606495
RSWS 35LM-WD	WAL606398	RSWS 35LM	WAL606687	WAL605783	WAL607404	40 x 2	WAL261157	WAL606496
RSWS 42LM-WD	WAL606399	RSWS 42LM	WAL606688	WAL605785	WAL607406	46 x 2	WAL605953	WAL606498
RSWS 6SM-WD	WAL606400	RSWS 6SM	WAL606689	WAL605765	WAL606517	11 x 2	WAL023492	WAL606483
RSWS 8SM-WD	WAL606401	RSWS 8SM	WAL606690	WAL605767	WAL606518	11 x 2	WAL023492	WAL606484
RSWS 10SM-WD	WAL606402	RSWS 10SM	WAL606691	WAL605769	WAL606520	14.5 x 2	WAL605949	WAL606485
RSWS 12SM-WD	WAL606403	RSWS 12SM	WAL606692	WAL605772	WAL606524	16.5 x 2	WAL605950	WAL606486
		RSWS 14SM	WAL606693	WAL605774	WAL606525	19.5 x 2	WAL605951	
RSWS 16SM-WD	WAL606405	RSWS 16SM	WAL606646	WAL605776	WAL606526	19.5 x 2	WAL605951	WAL606490
RSWS 20SM-WD	WAL606406	RSWS 20SM	WAL606694	WAL605778	WAL607400	26 x 1.5	WAL605952	WAL606492
RSWS 25SM-WD	WAL606407	RSWS 25SM	WAL607322	WAL605780	WAL607402	31 x 2	WAL250258	WAL606495
RSWS 30SM-WD	WAL606408	RSWS 30SM	WAL606695	WAL605782	WAL607404	40 x 2	WAL261157	WAL606496
RSWS 38SM-WD	WAL606409	RSWS 38SM	WAL606696	WAL605784	WAL607406	46 x 2	WAL605953	WAL606498

Special parts are available on request.