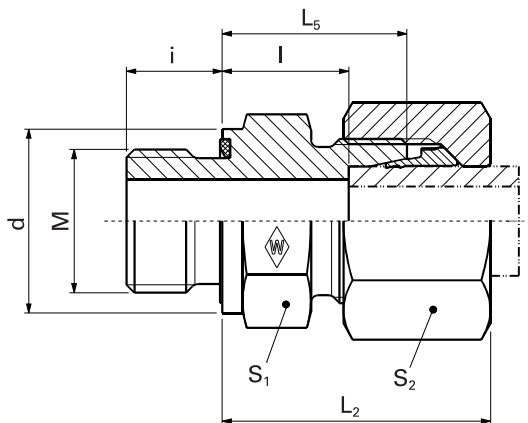


# Straight male fittings

## P-GEV ... M-WD

### P-GEV ... M-WD-1.4571

- With soft seal made from NBR\*\* (e.g. Perbunan) for steel
- With soft seal made from FKM (e.g. Viton) for stainless steel (1.4571)
- Metric stud type E to DIN EN ISO 9974-2



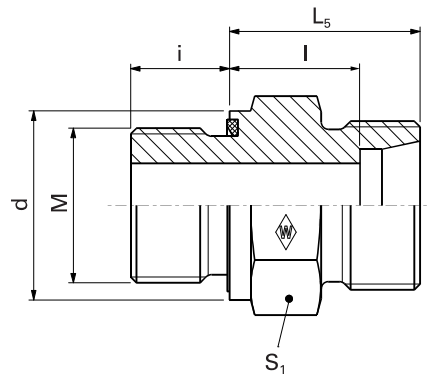
E

| Series     | PN bar (psi) | Tube outer diameter      | Model                    | M              | kg/100 pc. | L <sub>2</sub> | L <sub>5</sub> | L    | i    | d    | S <sub>1</sub> | S <sub>2</sub> | WALPRO P-GEV ... Art. no. | WALPRO stainless steel P-GEV ...-1.4571* Art. no. |           |
|------------|--------------|--------------------------|--------------------------|----------------|------------|----------------|----------------|------|------|------|----------------|----------------|---------------------------|---|-----------|
| L          | 500 (7252)   | 6                        | P-GEV 6 LM-WD            | M 10 x 1       | 2.5        | 23             | 15.5           | 8.5  | 8    | 13.9 | 14             | 14             | WAL373136                 | WAL620601   |           |
|            |              | 8                        | P-GEV 8 LM-WD            | M 12 x 1.5     | 4.0        | 25             | 17             | 10   | 12   | 16.9 | 17             | 17             | WAL373137                 | WAL620805   |           |
|            |              | 10                       | P-GEV 10 LM-WD           | M 14 x 1.5     | 4.7        | 26             | 18             | 11   | 12   | 18.9 | 19             | 19             | WAL373138                 | WAL620451   |           |
|            |              | 10                       | P-GEV 10 L/M 18 x 1.5-WD | M 18 x 1.5     | 7.6        | 27             | 19.5           | 12.5 | 12   | 23.9 | 24             | 19             | WAL605930                 | WAL623067   |           |
|            |              | 10                       | P-GEV 10 L/M 22 x 1.5-WD | M 22 x 1.5     | 8.3        | 27.5           | 20             | 13   | 14   | 26.9 | 27             | 19             | WAL605931                 | WAL623069   |           |
|            | 400 (5801)   | 12                       | P-GEV 12 LM-WD           | M 16 x 1.5     | 6.3        | 27             | 19.5           | 12.5 | 12   | 21.9 | 22             | 22             | WAL373139                 | WAL620591   |           |
|            |              | 12                       | P-GEV 12 L/M 18 x 1.5-WD | M 18 x 1.5     | 7.8        | 27             | 17             | 12.5 | 12   | 23.9 | 24             | 22             | WAL602562                 | WAL623071   |           |
|            |              | 12                       | P-GEV 12 L/M 22 x 1.5-WD | M 22 x 1.5     | 9.5        | 27.5           | 20             | 13   | 14   | 26.9 | 27             | 22             | WAL602563                 | WAL620817   |           |
|            |              | 15                       | P-GEV 15 LM-WD           | M 18 x 1.5     | 9.5        | 29             | 20.5           | 13.5 | 12   | 23.9 | 24             | 27             | WAL373140                 | WAL620622   |           |
|            |              | 15                       | P-GEV 15 L/M 22 x 1.5-WD | M 22 x 1.5     | 11.5       | 29             | 21             | 14   | 14   | 26.9 | 27             | 27             | WAL602564                 | WAL620820   |           |
| 250 (3626) | 18           | P-GEV 18 LM-WD           | M 22 x 1.5               | 12.2           | 30         | 22             | 14             | 14   | 26.9 | 27   | 32             | WAL373141      | WAL620608                 |   |           |
|            | 18           | P-GEV 18 L/M 18 x 1.5-WD | M 18 x 1.5               | 12.9           | 31         | 21.5           | 14.5           | 12   | 23.9 | 27   | 32             | WAL605934      | WAL621515                 |   |           |
|            | 22           | P-GEV 22 LM-WD           | M 26 x 1.5               | 17.6           | 33         | 24             | 16.5           | 16   | 31.9 | 32   | 36             | WAL373142      | WAL620996                 |   |           |
|            | 28           | P-GEV 28 LM-WD           | M 33 x 2                 | 24.7           | 34         | 25             | 17.5           | 18   | 39.9 | 41   | 41             | WAL373143      | WAL620891                 |   |           |
|            | 35           | P-GEV 35 LM-WD           | M 42 x 2                 | 40.7           | 39         | 28             | 17.5           | 20   | 49.9 | 50   | 50             | WAL373144      | WAL620892                 |   |           |
|            | 42           | P-GEV 42 LM-WD           | M 48 x 2                 | 45.6           | 42         | 30             | 19             | 22   | 54.9 | 55   | 60             | WAL373145      | WAL620796                 |   |           |
| S          | 800 (11603)  | 6                        | P-GEV 6 SM-WD            | M 12 x 1.5     | 4.5        | 28             | 20             | 13   | 12   | 16.9 | 17             | 17             | WAL373146                 | WAL620564   |           |
|            |              | 8                        | P-GEV 8 SM-WD            | M 14 x 1.5     | 5.5        | 30             | 22             | 15   | 12   | 18.9 | 19             | 19             | WAL373147                 | WAL620565   |           |
|            |              | 10                       | P-GEV 10 SM-WD           | M 16 x 1.5     | 8.2        | 31             | 22.5           | 15   | 12   | 21.9 | 22             | 22             | WAL373148                 | WAL620621   |           |
|            | 630 (9137)   | 12                       | P-GEV 12 SM-WD           | M 18 x 1.5     | 10.5       | 33             | 24.5           | 17   | 12   | 23.9 | 24             | 24             | WAL373149                 | WAL620559   |           |
|            |              | 14                       | P-GEV 14 SM-WD           | M 20 x 1.5     | 14.8       | 37             | 27             | 19   | 14   | 25.9 | 27             | 27             | WAL373150                 | WAL621511   |           |
|            |              | 16                       | P-GEV 16 SM-WD           | M 22 x 1.5     | 15.4       | 37             | 27             | 18.5 | 14   | 26.9 | 27             | 30             | WAL373151                 | WAL620566   |           |
|            | 420 (6091)   | 20                       | P-GEV 20 SM-WD           | M 27 x 2       | 25.3       | 42             | 31             | 20.5 | 16   | 31.9 | 32             | 36             | WAL373152                 | WAL620623   |           |
|            |              | 25                       | P-GEV 25 SM-WD           | M 33 x 2       | 46.5       | 47             | 35             | 23   | 18   | 39.9 | 41             | 46             | WAL373153                 | WAL620642   |           |
|            |              | 30                       | P-GEV 30 SM-WD           | M 42 x 2       | 64.4       | 50             | 37             | 23.5 | 20   | 49.9 | 50             | 50             | WAL373154                 | WAL620997   |           |
|            |              |                          | 38                       | P-GEV 38 SM-WD | M 48 x 2   | 88.9           | 57             | 42   | 26   | 22   | 54.9           | 55             | 60                        | WAL373155   | WAL620734 |

**⚠ Caution:** The pressure specifications refer to the steel version. For the stainless steel version (1.4571), please refer to the pressure specifications on page B5.  
 \*Complete stainless steel fittings (1.4571) with silver-plated nut (AG/AGP), see price list  
 L<sub>2</sub>= approximate dimension if the union nut is tightened  
 \*\*FPM (e.g. Viton) see price list / available on request

Special parts are available on request.

## GES ... M-WD GES ... M-WD-1.4571



E

System nuts for supplementing the stud  
(for technical data, see part D of this catalog)

| Series     | PN bar (psi) | Tube outer diameter | Model                  | M          | kg/100 pc. | Stud GES ... Art. no. | Stud Stainless steel GES ... -1.4571* Art. no. | System nuts for supplementing the stud (for technical data, see part D of this catalog) |                              |  |
|------------|--------------|---------------------|------------------------|------------|------------|-----------------------|--|---|------------------------------|--|
|            |              |                     |                        |            |            |                       |  | WALRING W-R ... VI Art. no.   | WALFORM WF-M ... VI Art. no. | WALFORM stainless steel WF-M ... VI-1.4571* Art. no. |
| L          | 500 (7252)   | 6                   | GES 6 LM-WD            | M 10 x 1   | 0.5        | WAL037638             | WAL602785                                      | WAL624607   | WAL625940                    | WAL625980  |
|            |              | 8                   | GES 8 LM-WD            | M 12 x 1.5 | 2          | WAL037639             | WAL612439                                      | WAL624608   | WAL625941                    | WAL625981  |
|            |              | 10                  | GES 10 LM-WD           | M 14 x 1.5 | 3          | WAL037640             | WAL610672                                      | WAL624609   | WAL625942                    | WAL625982  |
|            |              | 10                  | GES 10 L/M 18 x 1.5-WD | M 18 x 1.5 |            | WAL606459             | WAL623068                                      | WAL624609   | WAL625942                    | WAL625982  |
|            |              | 10                  | GES 10 L/M 22 x 1.5-WD | M 22 x 1.5 | 7.5        | WAL604706             | WAL623070                                      | WAL624609   | WAL625942                    | WAL625982  |
|            |              | 12                  | GES 12 LM-WD           | M 16 x 1.5 | 4          | WAL037641             | WAL602808                                      | WAL624610   | WAL625943                    | WAL625983  |
|            | 400 (5801)   | 12                  | GES 12 L/M 18 x 1.5-WD | M 18 x 1.5 | 4.5        | WAL024966             | WAL613182                                      | WAL624610   | WAL625943                    | WAL625983  |
|            |              | 12                  | GES 12 L/M 22 x 1.5-WD | M 22 x 1.5 | 7          | WAL604514             | WAL613122                                      | WAL624610   | WAL625943                    | WAL625983  |
|            |              | 15                  | GES 15 LM-WD           | M 18 x 1.5 | 5          | WAL037642             | WAL606270                                      | WAL624611   | WAL625944                    | WAL625984  |
|            |              | 15                  | GES 15 L/M 22 x 1.5-WD | M 22 x 1.5 | 7          | WAL604266             | WAL613123                                      | WAL624611   | WAL625944                    | WAL625984  |
|            |              | 18                  | GES 18 LM-WD           | M 22 x 1.5 | 7.5        | WAL037643             | WAL605670                                      | WAL624612   | WAL625945                    | WAL625985  |
|            |              | 18                  | GES 18 L/M 18 x 1.5-WD | M 18 x 1.5 | 9.3        | WAL606294             | WAL618838                                      | WAL624612   | WAL625945                    | WAL625985  |
| 250 (3626) | 22           | GES 22 LM-WD        | M 26 x 1.5             | 20         | WAL037644  | WAL612877             | WAL624613                                      | WAL625946   | WAL625986                    |  |
|            | 28           | GES 28 LM-WD        | M 33 x 2               | 16.5       | WAL037645  | WAL605323             | WAL624614                                      | WAL625947   | WAL625987                    |  |
|            | 35           | GES 35 LM-WD        | M 42 x 2               | 27.5       | WAL037646  | WAL605328             | WAL624615                                      | WAL625948   | WAL625988                    |  |
|            | 42           | GES 42 LM-WD        | M 48 x 2               | 35         | WAL037647  | WAL617437             | WAL624616                                      | WAL625949   | WAL625989                    |  |
| S          | 800 (11603)  | 6                   | GES 6 SM-WD            | M 12 x 1.5 | 3          | WAL037648             | WAL605312                                      | WAL624617   | WAL625950                    | WAL625990  |
|            |              | 8                   | GES 8 SM-WD            | M 14 x 1.5 | 4          | WAL037649             | WAL605316                                      | WAL624618   | WAL625951                    | WAL625991  |
|            |              | 10                  | GES 10 SM-WD           | M 16 x 1.5 | 5.5        | WAL037650             | WAL606269                                      | WAL624619   | WAL625952                    | WAL625992  |
|            |              | 12                  | GES 12 SM-WD           | M 18 x 1.5 | 7          | WAL037651             | WAL605268                                      | WAL624620   | WAL625953                    | WAL625993  |
|            | 630 (9137)   | 14                  | GES 14 SM-WD           | M 20 x 1.5 | 9.5        | WAL037652             | WAL613184                                      |   |                              |  |
|            |              | 16                  | GES 16 SM-WD           | M 22 x 1.5 | 9.5        | WAL037653             | WAL605274                                      | WAL624621   | WAL625954                    | WAL625994  |
|            | 420 (6091)   | 20                  | GES 20 SM-WD           | M 27 x 2   | 15.5       | WAL037654             | WAL605517                                      | WAL624622   | WAL625955                    | WAL625995  |
|            |              | 25                  | GES 25 SM-WD           | M 33 x 2   | 26.5       | WAL037655             | WAL605276                                      | WAL624623   | WAL625956                    | WAL625996  |
|            |              | 30                  | GES 30 SM-WD           | M 42 x 2   | 42.5       | WAL037656             | WAL617438                                      | WAL624624   | WAL625957                    | WAL625997  |
|            |              | 38                  | GES 38 SM-WD           | M 48 x 2   | 58.5       | WAL037657             | WAL617439                                      | WAL624625   | WAL625958                    | WAL625998  |

**Caution:** The pressure specifications refer to the steel version. For the stainless steel version (1.4571), please refer to the pressure specifications on page B5.

Special parts are available on request.