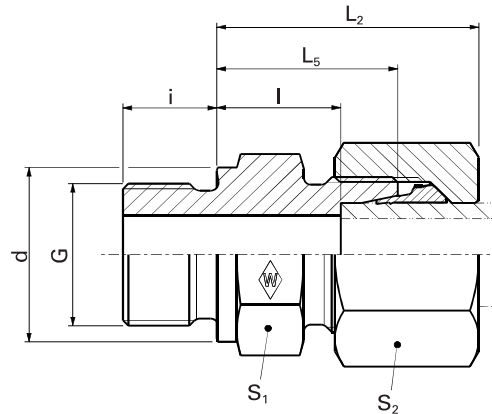


# Straight male fittings

## P-GEV ... R

### P-GEV ... R-1.4571

- Inch studs type B to DIN EN ISO 1179-4



L<sub>5</sub>

WALPRO stainless steel  
P-GEV ...-  
1.4571\*

WALPRO  
P-GEV ...

Series	PN bar (psi)	Tube outer diameter	Model	kg/100 pc.	DIN-ISO 228 (R ..., DIN 259) G	L <sub>2</sub>	L <sub>5</sub>	I	i	d	S <sub>1</sub>	S <sub>2</sub>	Art. no.	Art. no.	
S	630 (9137)	6	P-GEV 6 SR	5	G 1/4 A	20	28	13	12	18	19	17	WAL373073	WAL620014	
		8	P-GEV 8 SR	5.5	G 1/4 A	22	30	15	12	18	19	19	WAL373074	WAL620015	
		8	P-GEV 8 SR 3/8	8.0	G 3/8 A	22.5	30.5	15.5	12	22	22	19	WAL374849	WAL620811	
		10	P-GEV 10 SR	8.2	G 3/8 A	22.5	31	15	12	22	22	22	WAL373075	WAL620016	
		10	P-GEV 10 SR 1/4	7.5	G 1/4 A	22	30.5	14.5	12	18	19	22	WAL602938	WAL620295	
		10	P-GEV 10 SR 1/2	13.0	G 1/2 A	25	33.5	17.5	14	26	27	22	WAL374850	WAL620224	
		12	P-GEV 12 SR	9.5	G 3/8 A	24	33	17	12	22	22	24	WAL373076	WAL620017	
		12	P-GEV 12 SR 1/4	9.5	G 1/4 A	24	32.5	16.5	12	18	22	24	WAL602939	WAL620353	
		12	P-GEV 12 S/R 1/2	13.5	G 1/2 A	25	34	17.5	14	26	27	24	WAL373077	WAL620120	
		14	P-GEV 14 SR	14.8	G 1/2 A	27	37	19	14	26	27	27	WAL373078	WAL621512	
		16	P-GEV 16 SR	15.4	G 1/2 A	27	37	18.5	14	26	27	30	WAL373079	WAL620018	
		16	P-GEV 16 SR 3/8	16.0	G 3/8 A	26.5	36.5	18	12	22	27	30	WAL374852	WAL620352	
		16	P-GEV 16 SR 3/4	23.0	G 3/4 A	29	40	21.5	16	32	32	30	WAL604264	WAL620789	
		400 (5801)	20	P-GEV 20 SR	25.3	G 3/4 A	31	42	20.5	16	32	32	36	WAL373080	WAL620019
			20	P-GEV 20 S/R 1/2	24.5	G 1/2 A	31	40	18.5	14	26	32	36	WAL602651	WAL620202
			25	P-GEV 25 SR	46.5	G 1 A	35	47	23	18	39	41	46	WAL373081	WAL620020
250 (3626)	25	P-GEV 25 S/R 3/4	45.5	G 3/4 A	35	47	23	16	32	41	46	WAL374854	WAL620606		
	30	P-GEV 30 SR	64.4	G 1 1/4 A	37	50	23.5	20	49	50	50	WAL373082	WAL620021		
	38	P-GEV 38 SR	88.9	G 1 1/2 A	42	57	26	22	55	55	60	WAL373083	WAL620022		
		38	P-GEV 38 S/R 1 1/4	89.6	G 1 1/4 A	42	57	26	20	49	55	60	WAL603977	WAL620630	

**⚠ Caution:** The pressure specifications refer to the steel version. For the stainless steel version (1.4571), please refer to the pressure specifications on page B5.

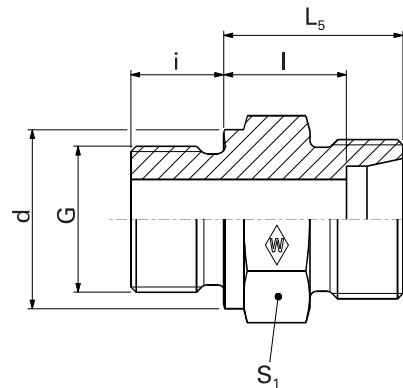
\*Complete stainless steel fittings (1.4571) with silver-plated nut (AG/AGP), see price list

L<sub>2</sub>= approximate dimension if the union nut is tightened

Special parts are available on request.

## GES ... R

### GES ... R-1.4571



E

System nuts for supplementing the stud  
(for technical data, see part D of this catalog)

Series	PN bar (psi)	Tube outer diameter	DIN-ISO 228 (R ..., DIN 259) G	kg/ 100 pc.	DIN-ISO 228 (R ..., DIN 259) G	Stud GES ... Art. no.	Stud Stainless steel GES ... -1.4571* Art. no.	System nuts for supplementing the stud (for technical data, see part D of this catalog)				
								WALRING W-R ... VI Art. no.	WALFORM WF-M ... VI Art. no.	WALFORM stainless steel WF-M ... VI-1.4571* Art. no.		
S	630 (9137)	6	GES 6 SR	3.6	G 1/4 A	WAL037578	WAL025488	WAL624617	WAL625950	WAL625990		
		8	GES 8 SR	4.1	G 1/4 A	WAL037579	WAL025489	WAL624618	WAL625951	WAL625991		
		8	GES 8 S/R 3/8	5.8	G 3/8 A	WAL370740	WAL617381	WAL624618	WAL625951	WAL625991		
		10	GES 10 SR	5.7	G 3/8 A	WAL037580	WAL025490	WAL624619	WAL625952	WAL625992		
		10	GES 10 S/R 1/4	4.0	G 1/4 A	WAL067917	WAL067084	WAL624619	WAL625952	WAL625992		
		10	GES 10 S/R 1/2	9.7	G 1/2 A	WAL060170	WAL066872	WAL624619	WAL625952	WAL625992		
		12	GES 12 SR	6.3	G 3/8 A	WAL037581	WAL025491	WAL624620	WAL625953	WAL625993		
		12	GES 12 S/R 1/4	5.7	G 1/4 A	WAL371817	WAL617383	WAL624620	WAL625953	WAL625993		
		12	GES 12 S/R 1/2	9.7	G 1/2 A	WAL037582	WAL060015	WAL624620	WAL625953	WAL625993		
		14	GES 14 SR	9.6	G 1/2 A	WAL037583	WAL025492					
		16	GES 16 SR	9.1	G 1/2 A	WAL037584	WAL025493	WAL624621	WAL625954	WAL625994		
		16	GES 16 S/R 3/8	8.6	G 3/8 A	WAL024062	WAL372245	WAL624621	WAL625954	WAL625994		
		16	GES 16 S/R 3/4	15.5	G 3/4 A	WAL025474	WAL617388	WAL624621	WAL625954	WAL625994		
		400 (5801)		20	GES 20 SR	14.9	G 3/4 A	WAL037585	WAL025494	WAL624622	WAL625955	WAL625995
				20	GES 20 S/R 1/2	13.6	G 1/2 A	WAL028704	WAL066306	WAL624622	WAL625955	WAL625995
				25	GES 25 SR	26.9	G 1 A	WAL037586	WAL025495	WAL624623	WAL625956	WAL625996
250 (3626)		25	GES 25 S/R 3/4	24.3	G 3/4 A	WAL028789	WAL605636	WAL624623	WAL625956	WAL625996		
		30	GES 30 SR	41.8	G 1 1/4 A	WAL037587	WAL025496	WAL624624	WAL625957	WAL625997		
		38	GES 38 SR	56.8	G 1 1/2 A	WAL037588	WAL025497	WAL624625	WAL625958	WAL625998		
		38	GES 38 S/R 1 1/4	56.7	G 1 1/4 A	WAL025223	WAL606647	WAL624625	WAL625958	WAL625998		

**Caution:** The pressure specifications refer to the steel version. For the stainless steel version (1.4571), please refer to the pressure specifications on page B5.

Special parts are available on request.