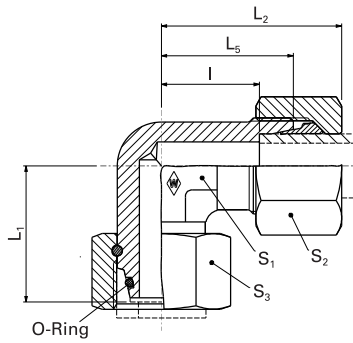


# Adjustable elbow fittings

## P-EWVD ...

### P-EWVD ...-1.4571

- with taper and O-ring made from NBR\* (e.g. Perbunan) for steel
- with taper and O-ring made from FKM (e.g. Viton) for stainless steel (1.4571)



F

Series	PN bar (psi)	Tube outer diameter	Model	kg/ 100 pc.	L <sub>1</sub>	L <sub>2</sub>	L <sub>5</sub>	I	S <sub>1</sub>	S <sub>2</sub>	S <sub>3</sub>	*O-ring	WALPRO P-EWVD...	WALPRO Stainless steel (1.4571) P-EWVD ...- 1.4571**
L	500 (7252)	6	<b>P-EWVD 6 L</b>	5.8	26	29	21	14	12	14	17	4.5 x 1.5	<b>WAL374555</b>	<b>WAL621326</b>
		8	<b>P-EWVD 8 L</b>	6.6	27.5	29	21	14	12	17	17	6 x 1.5	<b>WAL374556</b>	<b>WAL621327</b>
		10	<b>P-EWVD 10 L</b>	8.7	29	30	22	15	14	19	19	8.5 x 1.5	<b>WAL374557</b>	<b>WAL621328</b>
		12	<b>P-EWVD 12 L</b>	11.3	29.5	32	24	17	17	22	22	10 x 1.5	<b>WAL372992</b>	<b>WAL621329</b>
	400 (5801)	15	<b>P-EWVD 15 L</b>	15.6	32.5	36	28	21	19	27	27	12 x 2	<b>WAL374558</b>	<b>WAL621330</b>
		18	<b>P-EWVD 18 L</b>	22.9	35.5	40	31	23.5	24	32	32	15 x 2	<b>WAL374559</b>	<b>WAL621331</b>
	250 (3626)	22	<b>P-EWVD 22 L</b>	30.7	38.5	44	35	27.5	27	36	36	20 x 2	<b>WAL374560</b>	<b>WAL621332</b>
		28	<b>P-EWVD 28 L</b>	43.1	41.5	47	38	30.5	36	41	46	26 x 2	<b>WAL374561</b>	<b>WAL621333</b>
		35	<b>P-EWVD 35 L</b>	65.4	51	56	45	34.5	41	50	50	32 x 2.5	<b>WAL374562</b>	<b>WAL621334</b>
		42	<b>P-EWVD 42 L</b>	100.5	56	63	51	40	50	60	60	38 x 2.5	<b>WAL374563</b>	<b>WAL621335</b>
S	800 (11603)	6	<b>P-EWVD 6 S</b>	7.2	27	31	23	16	12	17	17	4.5 x 1.5	<b>WAL374564</b>	<b>WAL621336</b>
		8	<b>P-EWVD 8 S</b>	9.1	27.5	32	24	17	14	19	19	6 x 1.5	<b>WAL374565</b>	<b>WAL621337</b>
		10	<b>P-EWVD 10 S</b>	12.1	30	34	25	17.5	17	22	22	8.5 x 1.5	<b>WAL374566</b>	<b>WAL621338</b>
		12	<b>P-EWVD 12 S</b>	14.8	31	38	29	21.5	22	24	24	10 x 1.5	<b>WAL374567</b>	<b>WAL620589</b>
	630 (9137)	14	<b>P-EWVD 14 S</b>	19.3	35	40	30	22	19	27	27	12 x 2	<b>WAL374568</b>	
		16	<b>P-EWVD 16 S</b>	24.2	36.5	43	33	24.5	24	30	30	14 x 2	<b>WAL374569</b>	<b>WAL621340</b>
	420 (6091)	20	<b>P-EWVD 20 S</b>	36.6	44.5	48	37	26.5	27	36	36	17.3 x 2.4	<b>WAL374570</b>	<b>WAL621341</b>
		25	<b>P-EWVD 25 S</b>	72.7	50	54	42	30	36	46	46	22.3 x 2.4	<b>WAL374571</b>	<b>WAL621342</b>
	400 (5801)	30	<b>P-EWVD 30 S</b>	97.3	55	62	49	35.5	41	50	50	27.3 x 2.4	<b>WAL374572</b>	<b>WAL621343</b>
		38	<b>P-EWVD 38 S</b>	139.1	63	72	57	41	50	60	60	35 x 2.5	<b>WAL374573</b>	<b>WAL621344</b>

**△ Caution:** The pressure specifications refer to the steel version. For the stainless steel version (1.4571), please refer to the pressure specifications on page B5.

\*\*Complete stainless steel fittings (1.4571) with silver-plated nut (AG/AGP), see price list

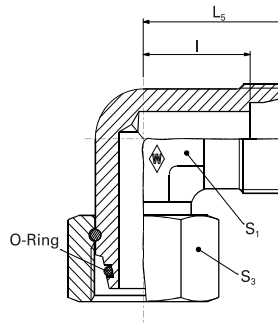
L<sub>2</sub>= approximate dimension if the union nut is tightened

\*For FPM (e.g. Viton) see price list / available on request

Special parts are available on request.

## EWSD ...

EWSD ... -1.4571



F

System nuts for supplementing the stud  
(for technical data, see part D of this catalog)

Series	PN bar (psi)	Tube outer diameter	Model	kg/100 pc.	Art. no.	Stud	WALRING W-R ... VI	WALFORM WF-M ... VI	WALFORM
						EWSD ...			Stainless steel (1.4571) EWSD ... VI -1.4571
L	500 (7252)	6	EWSD 6 L	6.0	WAL063877	WAL618224	WAL624607	WAL625940	WAL625980
		8	EWSD 8 L	6.0	WAL063878	WAL618225	WAL624608	WAL625941	WAL625981
		10	EWSD 10 L	7.5	WAL063879	WAL618226	WAL624609	WAL625942	WAL625982
	400 (5801)	12	EWSD 12 L	11.0	WAL063880	WAL618227	WAL624610	WAL625943	WAL625983
		15	EWSD 15 L	12.0	WAL063881	WAL618228	WAL624611	WAL625944	WAL625984
		18	EWSD 18 L	18.0	WAL063882	WAL618229	WAL624612	WAL625945	WAL625985
	250 (3626)	22	EWSD 22 L	24.0	WAL063883	WAL618230	WAL624613	WAL625946	WAL625986
		28	EWSD 28 L	42.0	WAL063884	WAL618231	WAL624614	WAL625947	WAL625987
		35	EWSD 35 L	55.5	WAL063885	WAL618232	WAL624615	WAL625948	WAL625988
		42	EWSD 42 L	84.5	WAL063886	WAL618233	WAL624616	WAL625949	WAL625989
S	800 (11603)	6	EWSD 6 S	6.0	WAL063887	WAL618234	WAL624617	WAL625950	WAL625990
		8	EWSD 8 S	8.5	WAL063888	WAL618235	WAL624618	WAL625951	WAL625991
		10	EWSD 10 S	12.0	WAL063889	WAL618236	WAL624619	WAL625952	WAL625992
	630 (9137)	12	EWSD 12 S	11.0	WAL063890	WAL605365	WAL624620	WAL625953	WAL625993
		14	EWSD 14 S	14.5	WAL063891	WAL606246			
	420 (6091)	16	EWSD 16 S	19.0	WAL063892	WAL618237	WAL624621	WAL625954	WAL625994
		20	EWSD 20 S	29.5	WAL063893	WAL067826	WAL624622	WAL625955	WAL625995
		25	EWSD 25 S	53.5	WAL063894	WAL606247	WAL624623	WAL625956	WAL625996
	400 (5801)	30	EWSD 30 S	72.0	WAL063895	WAL606248	WAL624624	WAL625957	WAL625997
		38	EWSD 38 S	106.0	WAL063896	WAL618238	WAL624625	WAL625958	WAL625998

**⚠ Caution:** The pressure specifications refer to the steel version. For the stainless steel version (1.4571), please refer to the pressure specifications on page B5.

Special parts are available on request.