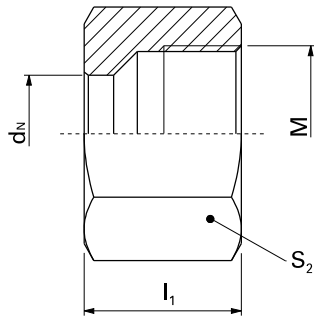


Tube connecting parts for WALFORMplus tube fittings

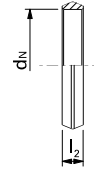
M ... M ... -1.4571

- Union nut



WF-WD ... VI

- WALFORM soft seal made from FPM** (e.g. Viton)
- Alternative option: WALFORM soft seal made from NBR (e.g. Perbunan)



D

Union nut
Stainless steel
(1.4571)
M ...
-1.4571*

WALFORM soft seal
WF-WD ... VI**

Alternative option:
Replacement
soft seal made from
NBR
WF-WD ...

Series	PN bar (psi)	Tube outer diameter d_N	Model	kg/ 100 pc.	Art. no.	Art. no.	Model	Art. no.	Art. no.	
L	500 (7252)	6	M 6 L	0.9	WAL039842	WAL027927	WF-WD 6 L/S VI	WAL610871	WAL612893	
		8	M 8 L	1.4	WAL039843	WAL027928	WF-WD 8 L/S VI	WAL610872	WAL612894	
		10	M 10 L	2.0	WAL039844	WAL027929	WF-WD 10 L/S VI	WAL610873	WAL612840	
		12	M 12 L	2.5	WAL039845	WAL027930	WF-WD 12 L/S VI	WAL610874	WAL612790	
	400 (5801)	15	M 15 L	4.0	WAL039846	WAL027931	WF-WD 15 L VI	WAL610875	WAL612479	
		18	M 18 L	6.0	WAL039847	WAL027932	WF-WD 18 L VI	WAL610877	WAL612896	
		22	M 22 L	8.0	WAL039848	WAL027933	WF-WD 22 L VI	WAL610879	WAL612897	
		250 (3626)	28	M 28 L	8.5	WAL039849	WAL027934	WF-WD 28 L VI	WAL610881	WAL612898
			35	M 35 L	13.0	WAL039850	WAL027935	WF-WD 35 L VI	WAL610883	WAL612899
		42	M 42 L	21.0	WAL039851	WAL027936	WF-WD 42 L VI	WAL610885	WAL612900	
S	800 (11603)	6	M 6 S	1.5	WAL039852	WAL028649	WF-WD 6 L/S VI	WAL610871	WAL612893	
		8	M 8 S	1.7	WAL039853	WAL027937	WF-WD 8 L/S VI	WAL610872	WAL612894	
		10	M 10 S	3.0	WAL039854	WAL027938	WF-WD 10 L/S VI	WAL610873	WAL612840	
	630 (9137)	12	M 12 S	3.5	WAL039855	WAL027939	WF-WD 12 L/S VI	WAL610874	WAL612790	
		16	M 16 S	6.0	WAL039857	WAL027941	WF-WD 16 S VI	WAL610876	WAL612895	
	420 (6091)	20	M 20 S	9.5	WAL039858	WAL027942	WF-WD 20 S VI	WAL610878	WAL612480	
		25	M 25 S	19.5	WAL039859	WAL027943	WF-WD 25S VI	WAL610880	WAL612791	
		30	M 30 S	21.5	WAL039860	WAL027944	WF-WD 30 S VI	WAL610882	WAL612481	
		38	M 38 S	31.0	WAL039861	WAL027945	WF-WD 38 S VI	WAL610884	WAL612837	

⚠ Caution: The pressure specifications refer to the steel version. For the stainless steel version (1.4571), please refer to the pressure specifications on page B5.

*Silver-plated stainless steel nut (AG/AGP), see price list

**EPDM available on request