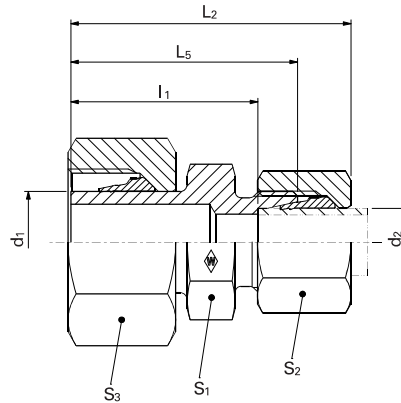


Reducer fittings

P-REDV....-SV

P-REDV ...-SV-1.4571

- L series
- Pre-assembled standpipe



H

WALPRO
P-REDV....-SV

WALPRO
Stainless steel
(1.4571)
P-REDV ... SV-1.4571*

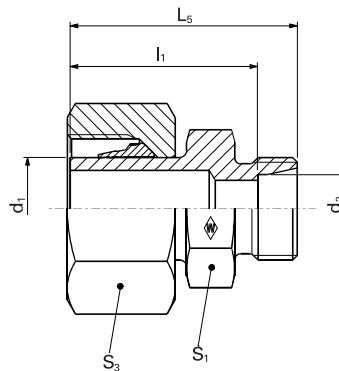
PN bar (psi)	d ₁	Tube outer diameter d ₂	Model	kg/ 100 pc.	L ₂	L ₅	I ₁	S ₁	S ₂	S ₃	Art. no.	Art. no.	
500 (7252)	8	6	P-REDV 8/6 L-SV	3.9	43	34.5	27.5	12	14	17	WAL374192	WAL620250	
		6	P-REDV 10/6 L-SV	5.1	43	35.5	28.5	12	14	19	WAL374193	WAL620251	
		8	P-REDV 10/8 L-SV	5.8	43	35.5	28.5	14	17	19	WAL374194	WAL620227	
	12	6	P-REDV 12/6 L-SV	6.1	42.5	35	28	14	14	22	WAL374195	WAL620185	
		8	P-REDV 12/8 L-SV	7.0	43.5	36	29	14	17	22	WAL374196	WAL620199	
		10	P-REDV 12/10 L-SV	8.1	44.5	37	30	17	19	22	WAL374197	WAL620252	
400 (5801)	6	6	P-REDV 15/6 L-SV	8.9	43	35	28	17	14	27	WAL374198	WAL620505	
		8	P-REDV 15/8 L-SV	8.7	44	36	29	17	17	27	WAL374199	WAL620495	
		10	P-REDV 15/10 L-SV	9.4	45	37	30	17	19	27	WAL374200	WAL620459	
	15	12	P-REDV 15/12 L-SV	12.1	46	38	31	19	22	27	WAL374201	WAL620385	
		6	P-REDV 18/6 L-SV	11.8	45	37	30	19	14	32	WAL374202	WAL620711	
		8	P-REDV 18/8 L-SV	12.3	46	38	31	19	17	32	WAL374203	WAL620253	
	18	10	P-REDV 18/10 L-SV	12.9	47	39	32	19	19	32	WAL374204	WAL620229	
		12	P-REDV 18/12 L-SV	14.1	48	40	33	19	22	32	WAL374205	WAL620243	
		15	P-REDV 18/15 L-SV	16.6	49	41	34	24	27	32	WAL374206	WAL620430	
	250 (3626)	6	6	P-REDV 22/6 L-SV	16.1	47	39	32	24	14	36	WAL374207	WAL620393
			8	P-REDV 22/8 L-SV	17.0	48	40	33	24	17	36	WAL374208	WAL620528
			10	P-REDV 22/10 L-SV	17.5	49	41	34	24	19	36	WAL374209	WAL620244
22		12	P-REDV 22/12 L-SV	18.6	50	42	35	24	22	36	WAL374210	WAL620327	
		15	P-REDV 22/15 L-SV	20.6	51	43	36	24	27	36	WAL374211	WAL620400	
		18	P-REDV 22/18 L-SV	24.1	53	44	36.5	27	32	36	WAL374212	WAL620254	

⚠ Caution: The pressure specifications refer to the steel version. For the stainless steel version (1.4571), please refer to the pressure specifications on page B5.

*For complete stainless steel fittings (1.4571) with silver-plated nut (AG/AGP), see price list.

L₂= approximate dimension if the union nut is tightened

P-REDS...-SV
P-REDS ...-SV-1.4571



H

System nuts for supplementing the stud
 (for technical data, see part D of this catalog)

PN bar (psi)	d ₁	Tube outer diameter d ₂	Model	kg/ 100 pc.	Stud P-REDS...-SV Art. no.	Stud Stainless steel (1.4571) P-REDS ... SV-1.4571 Art. no.	WALRING W-R ... VI Art. no.	WALFORM WF-M ... VI Art. no.	WALFORM stainless steel WF-M ... VI-1.4571* Art. no.
500 (7252)	8	6	P-REDS 8/6 L-SV	3.0	WAL604589	WAL621262	WAL624607	WAL625940	WAL625980
		10	P-REDS 10/6 L-SV	4.0	WAL602458	WAL620345	WAL624607	WAL625940	WAL625980
	12	8	P-REDS 10/8 L-SV	4.0	WAL602753	WAL620908	WAL624608	WAL625941	WAL625981
		6	P-REDS 12/6 L-SV	5.5	WAL602691	WAL620600	WAL624607	WAL625940	WAL625980
		8	P-REDS 12/8 L-SV	5.5	WAL602585	WAL621263	WAL624608	WAL625941	WAL625981
		10	P-REDS 12/10 L-SV	5.5	WAL602433	WAL620577	WAL624609	WAL625942	WAL625982
400 (5801)	15	6	P-REDS 15/6 L-SV	7.5	WAL602992	WAL621264	WAL624607	WAL625940	WAL625980
		8	P-REDS 15/8 L-SV	8.5	WAL602930	WAL621265	WAL624608	WAL625941	WAL625981
	18	10	P-REDS 15/10 L-SV	8.5	WAL602586	WAL620611	WAL624609	WAL625942	WAL625982
		12	P-REDS 15/12 L-SV	8.5	WAL602539	WAL621266	WAL624610	WAL625943	WAL625983
		6	P-REDS 18/6 L-SV	10.5	WAL602993	WAL620582	WAL624607	WAL625940	WAL625980
		8	P-REDS 18/8 L-SV	11.0	WAL602434	WAL621267	WAL624608	WAL625941	WAL625981
250 (3626)	22	10	P-REDS 18/10 L-SV	12.5	WAL602461	WAL620583	WAL624609	WAL625942	WAL625982
		12	P-REDS 18/12 L-SV	12.0	WAL602462	WAL621268	WAL624610	WAL625943	WAL625983
	18	15	P-REDS 18/15 L-SV	13.0	WAL602931	WAL621269	WAL624611	WAL625944	WAL625984
		6	P-REDS 22/6 L-SV	13.0	WAL612581	WAL621270	WAL624607	WAL625940	WAL625980
		8	P-REDS 22/8 L-SV	14.5	WAL604260	WAL621271	WAL624608	WAL625941	WAL625981
		10	P-REDS 22/10 L-SV	15.5	WAL604256	WAL621272	WAL624609	WAL625942	WAL625982
15	12	P-REDS 22/12 L-SV	15.0	WAL602932	WAL621273	WAL624610	WAL625943	WAL625983	
	18	P-REDS 22/18 L-SV	18.0	WAL602463	WAL621275	WAL624612	WAL625945	WAL625985	

⚠ Caution: The pressure specifications refer to the steel version. For the stainless steel version (1.4571), please refer to the pressure specifications on page B5.