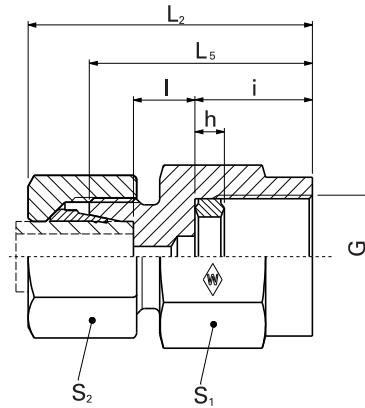


# Gauge couplings (fittings)

## P-MAV ... R

### P-MAV ... R-1.4571

- Inch studs type B to DIN EN ISO 1179-4



H

Series	PN bar (psi)	Tube outer diameter	DIN-ISO 228 (R ..., DIN 259) G	Model	kg/ 100 pc.	$L_2$	$L_5$	$l$	$i$	$h$	$S_1$	$S_2$	Art. no.	Art. no.
L	500(7252)	6	G 1/4	<b>P-MAV 6 LR</b>	4.6	37	14.5	7.5	14.5	4.5	19	14	<b>WAL374334</b>	<b>WAL620112</b>
		8	G 1/4	<b>P-MAV 8 LR</b>	5.3	37	14.5	7.5	14.5	4.5	19	17	<b>WAL374335</b>	<b>WAL620113</b>
		10	G 1/4	<b>P-MAV 10 LR</b>	6.2	38	15.5	8.5	14.5	4.5	19	19	<b>WAL374336</b>	<b>WAL620114</b>
S	400 (5801)	12	G 1/4	<b>P-MAV 12 LR</b>	7.0	38	15.5	8.5	14.5	4.5	19	22	<b>WAL374337</b>	<b>WAL620115</b>
		6	G 1/2	<b>P-MAV 6 SR</b>	10.5	46	18	11	20	5	27	17	<b>WAL374338</b>	<b>WAL620116</b>
	800 (11603)	8	G 1/2	<b>P-MAV 8 SR</b>	10.7	46	18	11	20	5	27	19	<b>WAL374339</b>	<b>WAL620117</b>
		10	G 1/2	<b>P-MAV 10 SR</b>	12.5	47	18	10.5	20	5	27	22	<b>WAL374340</b>	<b>WAL620118</b>
	630 (9137)	12	G 1/2	<b>P-MAV 12 SR</b>	13.4	47	18	10.5	20	5	27	24	<b>WAL374341</b>	<b>WAL620119</b>

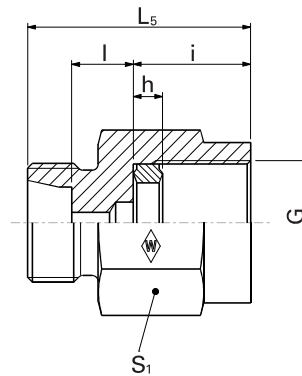
WALPRO  
P-MAV...R

WALPRO  
Stainless steel  
(1.4571) P-MAV  
... R-1.4571\*

**△ Caution:** The pressure specifications refer to the steel version. For the stainless steel version (1.4571), please refer to the pressure specifications on page B5.  
\*For complete stainless steel fittings (1.4571) with silver-plated nut (AG/AGP), see price list  
 $L_2$ = approximate dimension if the union nut is tightened

**MAS ... R**

MAS ... R-1.4571



H

System nuts for supplementing the stud  
(for technical data, see part D of this catalog)

Series	PN bar (psi)	Tube outer diameter	DIN-ISO 228 (R... DIN 259) G	Model	kg/ 100 pc.	Art. no.	Stud	System nuts for supplementing the stud		WALFORM
							Stainless steel (1.4571) MAS ... R-1.4571*	WALRING W-R ... VI	WALFORM WF-M ... VI	stainless steel WF-M ... VI-1.4571*
L	500 (7252)	6	G 1/4	MAS 6 LR	3.8	WAL066939	WAL067383	WAL624607	WAL625940	WAL625980
		8	G 1/4	MAS 8 LR	3.6	WAL066940	WAL067387	WAL624608	WAL625941	WAL625981
		10	G 1/4	MAS 10 LR	4.0	WAL067370	WAL067372	WAL624609	WAL625942	WAL625982
	400 (5801)	12	G 1/4	MAS 12 LR	6.3	WAL066941	WAL067378	WAL624610	WAL625943	WAL625983
S	800 (11603)	6	G 1/2	MAS 6 SR	9.4	WAL066942	WAL067385	WAL624617	WAL625950	WAL625990
		8	G 1/2	MAS 8 SR	9.0	WAL066943	WAL067389	WAL624618	WAL625951	WAL625991
		10	G 1/2	MAS 10 SR	9.0	WAL066944	WAL067374	WAL624619	WAL625952	WAL625992
	630 (9137)	12	G 1/2	MAS 12 SR	9.5	WAL066945	WAL067380	WAL624620	WAL625953	WAL625993

**⚠ Caution:** The pressure specifications refer to the steel version. For the stainless steel version (1.4571), please refer to the pressure specifications on page B5.