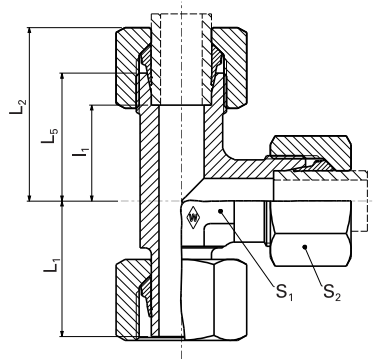


# Adjustable L fittings

## P-ELV ... -SV

### P-ELV ...SV-1.4571

- with pre-assembled standpipe



F

|               |                 |                           |                      |                |                |                |                |      |                |                  | WALPRO<br>P-ELV... -SV |                  | WALPRO<br>Stainless steel<br>(1.4571)<br>P-ELV ...<br>SV-1.4571* |  |
|---------------|-----------------|---------------------------|----------------------|----------------|----------------|----------------|----------------|------|----------------|------------------|------------------------|------------------|--|--|
| Series        | PN<br>bar (psi) | Tube<br>outer<br>diameter | Model                | kg/<br>100 pc. | L <sub>1</sub> | L <sub>2</sub> | L <sub>5</sub> | I    | S <sub>1</sub> | S <sub>2</sub>   | Model                  | Art. no.         |  |  |
| L             | 500<br>(7252)   | 6                         | <b>P-ELV 6 L-SV</b>  | 5.2            | 26             | 27             | 19             | 12   | 12             | 14               | <b>WAL373716</b>       | <b>WAL620359</b> |  |  |
|               |                 | 8                         | <b>P-ELV 8 L-SV</b>  | 7.8            | 27.5           | 29             | 21             | 14   | 12             | 17               | <b>WAL373717</b>       | <b>WAL620283</b> |  |  |
|               |                 | 10                        | <b>P-ELV 10 L-SV</b> | 10.6           | 29             | 30             | 22             | 15   | 14             | 19               | <b>WAL373718</b>       | <b>WAL620455</b> |  |  |
|               | 400<br>(5801)   | 12                        | <b>P-ELV 12 L-SV</b> | 12.8           | 29.5           | 32             | 24             | 17   | 17             | 22               | <b>WAL373719</b>       | <b>WAL620441</b> |  |  |
|               |                 | 15                        | <b>P-ELV 15 L-SV</b> | 21.9           | 32.5           | 36             | 28             | 21   | 19             | 27               | <b>WAL373720</b>       | <b>WAL620401</b> |  |  |
|               |                 | 18                        | <b>P-ELV 18 L-SV</b> | 33.0           | 35.5           | 40             | 31             | 23.5 | 24             | 32               | <b>WAL373721</b>       | <b>WAL620530</b> |  |  |
| 250<br>(3626) | 22              | <b>P-ELV 22 L-SV</b>      | 43.3                 | 38.5           | 44             | 35             | 27.5           | 27   | 36             | <b>WAL373722</b> | <b>WAL620402</b>       |                  |  |  |
|               | 28              | <b>P-ELV 28 L-SV</b>      | 55.9                 | 41.5           | 47             | 38             | 30.5           | 36   | 41             | <b>WAL373723</b> | <b>WAL620692</b>       |                  |  |  |
| S             | 800<br>(11603)  | 6                         | <b>P-ELV 6 S-SV</b>  | 8.8            | 27             | 31             | 23             | 16   | 12             | 17               | <b>WAL373726</b>       | <b>WAL620694</b> |  |  |
|               |                 | 8                         | <b>P-ELV 8 S-SV</b>  | 10.7           | 27.5           | 32             | 24             | 17   | 14             | 19               | <b>WAL373727</b>       | <b>WAL621106</b> |  |  |
|               |                 | 10                        | <b>P-ELV 10 S-SV</b> | 16.7           | 30             | 34             | 25             | 17.5 | 17             | 22               | <b>WAL373728</b>       | <b>WAL620695</b> |  |  |
|               | 630<br>(9137)   | 12                        | <b>P-ELV 12 S-SV</b> | 20.4           | 31             | 38             | 29             | 21.5 | 17             | 24               | <b>WAL373729</b>       | <b>WAL620417</b> |  |  |
|               |                 | 14                        | <b>P-ELV 14 S-SV</b> | 27.2           | 35             | 40             | 30             | 22   | 19             | 27               | <b>WAL373730</b>       | <b>WAL621107</b> |  |  |
|               |                 | 16                        | <b>P-ELV 16 S-SV</b> | 33.7           | 36.5           | 43             | 33             | 24.5 | 24             | 30               | <b>WAL373731</b>       | <b>WAL620696</b> |  |  |

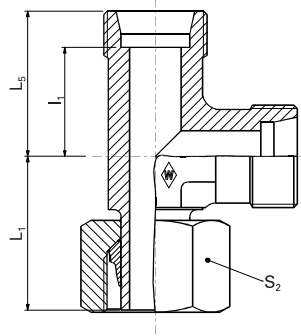
**⚠ Caution:** The pressure specifications refer to the steel version. For the stainless steel version (1.4571), please refer to the pressure specifications on page B5.

\*Complete stainless steel fittings (1.4571) with silver-plated nut (AG/AGP), see price list

L<sub>2</sub>= approximate dimension if the union nut is tightened

Special parts are available on request.

**P-ELS ... -SV**  
**P-ELS ...SV-1.4571**



F

System nuts for supplementing the stud  
(for technical data, see part D of this catalog)

| Series | PN bar (psi)   | Tube outer diameter | Model         | kg/100 pc. | Art. no.  | Stud<br>P-ELS ... -SV | Stud<br>Stainless steel<br>(1.4571)<br>P-ELS ... -SV-<br>1.4571 | System nuts for supplementing the stud<br>(for technical data, see part D of this catalog) |                        |   |
|--------|----------------|---------------------|---------------|------------|-----------|-----------------------|---|--|------------------------|---|
|        |                |                     |               |            |           |                       |   | WALRING<br>W-R ... VI  | WALFORM<br>WF-M ... VI | WALFORM<br>Stainless steel<br>(1.4571)<br>WF-M ... VI<br>-1.4571* |
| L      | 500<br>(7252)  | 6                   | P-ELS 6 L-SV  | 4.0        | WAL602911 | WAL620609             | WAL624607   | WAL625940  | WAL625980              |   |
|        |                | 8                   | P-ELS 8 L-SV  | 4.4        | WAL374931 | WAL621253             | WAL624608   | WAL625941  | WAL625981              |   |
|        |                | 10                  | P-ELS 10 L-SV | 6.0        | WAL374932 | WAL620599             | WAL624609   | WAL625942  | WAL625982              |   |
|        | 400<br>(5801)  | 12                  | P-ELS 12 L-SV | 8.5        | WAL602559 | WAL620658             | WAL624610   | WAL625943  | WAL625983              |   |
|        |                | 15                  | P-ELS 15 L-SV | 14.5       | WAL374933 | WAL621254             | WAL624611   | WAL625944  | WAL625984              |   |
|        |                | 18                  | P-ELS 18 L-SV | 21.0       | WAL602467 | WAL620568             | WAL624612   | WAL625945  | WAL625985              |   |
|        | 250<br>(3626)  | 22                  | P-ELS 22 L-SV | 25.6       | WAL604092 | WAL620636             | WAL624613   | WAL625946  | WAL625986              |   |
|        |                | 28                  | P-ELS 28 L-SV | 41.5       | WAL602583 | WAL621255             | WAL624614   | WAL625947  | WAL625987              |   |
| S      | 800<br>(11603) | 6                   | P-ELS 6 S-SV  | 6.0        | WAL602998 | WAL621257             | WAL624617   | WAL625950  | WAL625990              |   |
|        |                | 8                   | P-ELS 8 S-SV  | 7.5        | WAL602999 | WAL620348             | WAL624618   | WAL625951  | WAL625991              |   |
|        |                | 10                  | P-ELS 10 S-SV | 10.5       | WAL602913 | WAL621258             | WAL624619   | WAL625952  | WAL625992              |   |
|        | 630<br>(9137)  | 12                  | P-ELS 12 S-SV | 13.5       | WAL602908 | WAL621259             | WAL624620   | WAL625953  | WAL625993              |   |
|        |                | 14                  | P-ELS 14 S-SV | 16.6       | WAL606307 | WAL621260             |   |  |                        |   |
|        |                | 16                  | P-ELS 16 S-SV | 24.0       | WAL602910 | WAL620570             | WAL624621   | WAL625954  | WAL625994              |   |

**⚠ Caution:** The pressure specifications refer to the steel version. For the stainless steel version (1.4571), please refer to the pressure specifications on page B5.

Special parts are available on request.