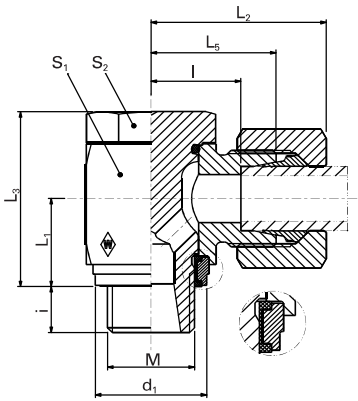


Banjo coupling elbow fittings

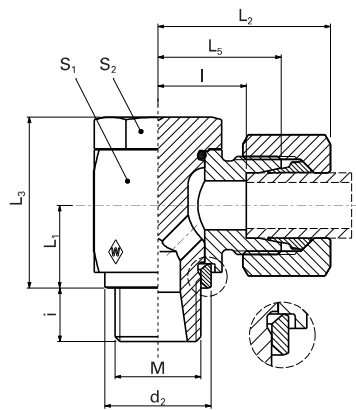
P-RSWV ... M-WD

- Metric stud type E to DIN EN ISO 9974-2
- with soft seal made from NBR* (e.g. Perbunan)



P-RSWV ... M

- Metric stud type B to DIN EN ISO 9974-3
- with metal-to-metal seal



F

Series	PB bar (psi)	Tube outer diameter	M	kg/100 pc.	L ₁	L ₂	L ₃	L ₅	I	i	d ₁ max.	d ₂	S ₁	S ₂	P-RSWV with elastomer seal		P-RSWV with metal-to-metal seal			
															Model	Art. no.	Model	Art. no.		
LL	100 (1450)	4	M 8 x 1	3.4	8	22.5	17	17	13	6		12.5	12	12		P-RSWV 4LLM	WAL607024			
		6	M 10 x 1	4.2	10	26	21	20	14.5	8		14.5	14	14		P-RSWV 6LLM	WAL607025			
		8	M 10 x 1	4.5	10	26	21	20	14.5	8		14.5	14	14		P-RSWV 8LLM	WAL607026			
	500 (7252)	6	M 10 x 1	5.9	10	27.5	21	20	13	8	14.9	13	14	14		P-RSWV 6LM-WD	WAL607075	P-RSWV 6LM	WAL607027	
		8	M 12 x 1.5	9.0	13.5	28.5	27	21	14	10	17.9	17.8	19	19		P-RSWV 8LM-WD	WAL607076	P-RSWV 8LM	WAL607028	
		10	M 14 x 1.5	10.3	13.5	29.5	27	22	15	10	19.9	17.8	19	19		P-RSWV 10LM-WD	WAL607077	P-RSWV 10LM	WAL607029	
	400 (5801)	12	M 16 x 1.5	15.8	16	32	32.5	24.5	17.5	10	21.9	21	24	22		P-RSWV 12LM-WD	WAL607078	P-RSWV 12LM	WAL607030	
		315 (4569)	12	M 18 x 1.5	16.9	18.5	34.5	36	27	20	10	23.9	23	24	22		P-RSWV 12L/M18x1.5-WD	WAL607079	P-RSWV 12L/M18x1.5	WAL607031
		400 (5801)	15	M 18 x 1.5	20.9	18.5	35	37	27	20	10	23.9	23	27	24		P-RSWV 15LM-WD	WAL607080	P-RSWV 15LM	WAL607032
	250 (3626)	18	M 22 x 1.5	31.9	21.5	36.5	43	28	20.5	12	27.9	27	30	27		P-RSWV 18LM-WD	WAL607081	P-RSWV 18LM	WAL607033	
		22	M 26 x 1.5	48.6	24	43	48	34.5	27	16	31.9	31	36	32		P-RSWV 22LM-WD	WAL607082	P-RSWV 22LM	WAL607034	
		28	M 33 x 2	88.5	30.5	48	59	39	31.5	18	39.9	39	46	41		P-RSWV 28LM-WD	WAL607083	P-RSWV 28LM	WAL607035	
	500 (7252)	35	M 42 x 2	151	35.5	57	70	46	35.5	20	49.9	49	55	50		P-RSWV 35LM-WD	WAL607084	P-RSWV 35LM	WAL607036	
		42	M 48 x 2	234	40.5	62.5	80	51	40	22	55.9	55	65	55		P-RSWV 42LM-WD	WAL607085	P-RSWV 42LM	WAL607037	
		6	M 12 x 1.5	8.5	13.5	30.5	27	23	16	10	17.9	17.8	19	19		P-RSWV 6SM-WD	WAL607086	P-RSWV 6SM	WAL607038	
	400 (5801)	8	M 14 x 1.5	10.4	13.5	30.5	27	23	16	10	19.9	17.8	19	19		P-RSWV 8SM-WD	WAL607087	P-RSWV 8SM	WAL607039	
		10	M 16 x 1.5	16.9	16	34	32.5	25.5	18	10	21.9	21	24	22		P-RSWV 10SM-WD	WAL607088	P-RSWV 10SM	WAL607040	
		12	M 18 x 1.5	22.2	18.5	35.5	37	27	19.5	10	23.9	23	27	24		P-RSWV 12SM-WD	WAL607089	P-RSWV 12SM	WAL607041	
	250 (3626)	14	M 20 x 1.5	28.0	19.5	39.5	41	30	22	12		25	30	27			WAL607090	P-RSWV 14SM	WAL607042	
		16	M 22 x 1.5	32.3	21.5	39.5	43	30	21.5	12	27.9	27	30	27		P-RSWV 16SM-WD	WAL607091	P-RSWV 16SM	WAL607043	
		315 (4569)	20	M 27 x 2	51.9	24	47.5	48	36.5	26	16	32.9	32	36	32		P-RSWV 20SM-WD	WAL607092	P-RSWV 20SM	WAL607044
	500 (7252)	25	M 33 x 2	103.3	30.5	55	59	43	31	18	39.9	39	46	41		P-RSWV 25SM-WD	WAL607093	P-RSWV 25SM	WAL607045	
		30	M 42 x 2	163.9	35.5	63	70	50	36.5	20	49.9	49	55	50		P-RSWV 30SM-WD	WAL607094	P-RSWV 30SM	WAL607046	
		38	M 48 x 2	252.7	40.5	71.5	80	57	41	22	55.9	55	65	55		P-RSWV 38SM-WD	WAL607095	P-RSWV 38SM	WAL607047	

L₂= approximate dimension if the union nut is tightened

*For FPM (e.g. Viton) see price list / available on request

For P-RSWV and RSWS in stainless steel (1.4571), see price list / available on request

Operating pressure

The specified operating pressure ratings (PB) are calculated with a minimum safety factor of 2.5 and represent the maximum permissible operating pressures under predominantly static load conditions and temperatures of up to +120 °C (in the case of steel). Strong pressure surges and mechanical stresses, such as vibrations, require special consideration.

If the version with metal-to-metal sealing edge is used for special applications (e.g. higher temperatures or aggressive media), the banjo bolt O-ring must be removed!

Special parts are available on request.