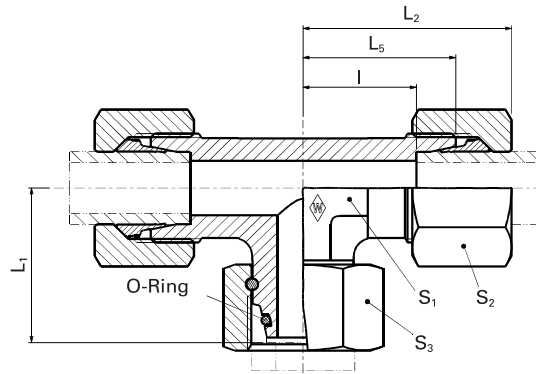


Adjustable T fittings

P-ETVD ...

P-ETVD ...-1.4571

- with taper and O-ring made from NBR* (e.g. Perbunan) for steel
- with taper and O-ring made from FKM (e.g. Viton) for stainless steel (1.4571)



F

Series	PN bar (psi)	Tube outer diameter	Model	kg/100 pc.	L ₁	L ₂	L ₅	I	S ₁	S ₂	S ₃	*O-ring	WALPRO P-ETVD...	WALPRO Stainless steel (1.4571) P-ETVD ... VI-1.4571**
													Art. no.	Art. no.
L	500 (7252)	6	P-ETVD 6 L	5.4	26	29	21	14	14	14	17	4.5 x 1.5	WAL374574	WAL621345
		8	P-ETVD 8 L	7.6	27.5	29	21	14	14	17	17	6 x 1.5	WAL374575	WAL621100
		10	P-ETVD 10 L	10.7	29	30	22	15	17	19	19	8.5 x 1.5	WAL374576	WAL621346
	400 (5801)	12	P-ETVD 12 L	13.5	29.5	32	24	17	19	22	22	10 x 1.5	WAL374577	WAL621347
		15	P-ETVD 15 L	22.3	32.5	36	28	21	19	27	27	12 x 2	WAL374578	WAL621348
		18	P-ETVD 18 L	33.2	35.5	40	31	23.5	24	32	32	15 x 2	WAL374579	WAL621101
	250 (3626)	22	P-ETVD 22 L	43.9	38.5	44	35	27.5	27	36	36	20 x 2	WAL374580	WAL621102
		28	P-ETVD 28 L	58.3	41.5	47	38	30.5	36	41	46	26 x 2	WAL374581	WAL621349
		35	P-ETVD 35 L	91.5	51	56	45	34.5	41	50	50	32 x 2.5	WAL374582	WAL621350
		42	P-ETVD 42 L	136.9	56	63	51	40	50	60	60	38 x 2.5	WAL374583	WAL621351
S	800 (11603)	6	P-ETVD 6 S	8.7	27	31	23	16	14	17	17	4.5 x 1.5	WAL374584	WAL621103
		8	P-ETVD 8 S	10.9	27.5	32	24	17	17	19	19	6 x 1.5	WAL374585	WAL621352
		10	P-ETVD 10 S	16.9	30	34	25	17.5	19	22	22	8.5 x 1.5	WAL374586	WAL621353
	630 (9137)	12	P-ETVD 12 S	21.2	31	38	29	21.5	22	24	24	10 x 1.5	WAL374587	WAL620637
		14	P-ETVD 14 S	28.1	35	40	30	22	19	27	27	12 x 2	WAL374588	
		16	P-ETVD 16 S	36.4	36.5	43	33	24.5	24	30	30	14 x 2	WAL374589	WAL621354
	420 (6091)	20	P-ETVD 20 S	54.2	44.5	48	37	26.5	27	36	36	17.3 x 2.4	WAL374590	WAL621355
		25	P-ETVD 25 S	105.0	50	54	42	30	36	46	46	22.3 x 2.4	WAL374591	WAL621356
	400 (5801)	30	P-ETVD 30 S	134.9	55	62	49	35.5	41	50	50	27.3 x 2.4	WAL374592	WAL621357
		38	P-ETVD 38 S	206.1	63	72	57	41	50	60	60	35 x 2.5	WAL374593	WAL621358

△ Caution: The pressure specifications refer to the steel version. For the stainless steel version (1.4571), please refer to the pressure specifications on page B5.

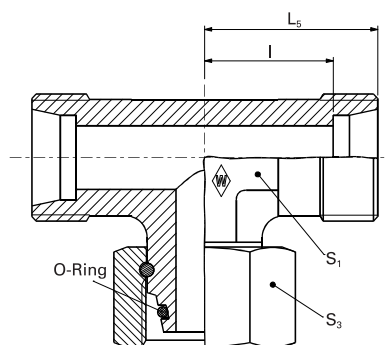
**Complete stainless steel fittings (1.4571) with silver-plated nut (AG/AGP), see price list

L₂= approximate dimension if the union nut is tightened

*For FPM (e.g. Viton) see price list / available on request

Special parts are available on request.

ETSD ... ETSD ...-1.4571



F

System nuts for supplementing the stud
(for technical data, see part D of this catalog)

Series	PN bar (psi)	Tube outer diameter	Model	kg/ 100 pc.	Art. no.	Stud	WALRING W-R ... VI	WALFORM WF-M ... VI	WALFORM
						ETSD ...			Stainless steel (1.4571) ETSD ... VI -1.4571
L	500 (7252)	6	ETSD 6 L	3.2	WAL063897	WAL618253	WAL624607	WAL625940	WAL625980
		8	ETSD 8 L	6.5	WAL063898	WAL618254	WAL624608	WAL625941	WAL625981
		10	ETSD 10 L	9.5	WAL063899	WAL618255	WAL624609	WAL625942	WAL625982
	400 (5801)	12	ETSD 12 L	12.5	WAL063900	WAL618256	WAL624610	WAL625943	WAL625983
		15	ETSD 15 L	14	WAL063901	WAL618257	WAL624611	WAL625944	WAL625984
		18	ETSD 18 L	21.5	WAL063902	WAL618258	WAL624612	WAL625945	WAL625985
	250 (3626)	22	ETSD 22 L	28	WAL063903	WAL618259	WAL624613	WAL625946	WAL625986
		28	ETSD 28 L	49	WAL063904	WAL618260	WAL624614	WAL625947	WAL625987
		35	ETSD 35 L	60.9	WAL063905	WAL618261	WAL624615	WAL625948	WAL625988
		42	ETSD 42 L	89.2	WAL063906	WAL617598	WAL624616	WAL625949	WAL625989
S	800 (11603)	6	ETSD 6 S	8	WAL063907	WAL617599	WAL624617	WAL625950	WAL625990
		8	ETSD 8 S	10.5	WAL063908	WAL618262	WAL624618	WAL625951	WAL625991
		10	ETSD 10 S	14	WAL063909	WAL618263	WAL624619	WAL625952	WAL625992
	630 (9137)	12	ETSD 12 S	19	WAL063910	WAL618264	WAL624620	WAL625953	WAL625993
		14	ETSD 14 S	16.9	WAL063911	WAL606249			
		16	ETSD 16 S	23	WAL063912	WAL618265	WAL624621	WAL625954	WAL625994
	420 (6091)	20	ETSD 20 S	35	WAL063913	WAL618266	WAL624622	WAL625955	WAL625995
		25	ETSD 25 S	63.5	WAL063914	WAL618267	WAL624623	WAL625956	WAL625996
	400 (5801)	30	ETSD 30 S	87	WAL063915	WAL617600	WAL624624	WAL625957	WAL625997
		38	ETSD 38 S	131	WAL063916	WAL618268	WAL624625	WAL625958	WAL625998

⚠ Caution: The pressure specifications refer to the steel version. For the stainless steel version (1.4571), please refer to the pressure specifications on page B5.

Special parts are available on request.