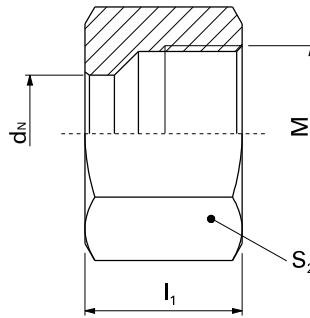


# Union nut

**M ...**  
**M ... -1.4571**

- Union nut



D

Union nut  
Stainless steel (1.4571)  
M ...  
-1.4571\*

Union nut  
M ...

Series	PN bar (psi)	Tube outer diameter d <sub>N</sub>	Model	kg/ 100 pc.	M	I <sub>1</sub>	S <sub>2</sub>	Art. no.	Art. no.
LL	100 (1450)	4	<b>M 4 LL</b>	0.4	M 8 x 1	11	10	<b>WAL039838</b>	<b>WAL027923</b>
		6	<b>M 6 LL</b>	0.5	M 10 x 1	11.5	12	<b>WAL039840</b>	<b>WAL027925</b>
		8	<b>M 8 LL</b>	0.7	M 12 x 1	12	14	<b>WAL039841</b>	<b>WAL027926</b>
L	500 (7252)	6	<b>M 6 L</b>	0.9	M 12 x 1.5	14.5	14	<b>WAL039842</b>	<b>WAL027927</b>
		8	<b>M 8 L</b>	1.4	M 14 x 1.5	14.5	17	<b>WAL039843</b>	<b>WAL027928</b>
		10	<b>M 10 L</b>	2.0	M 16 x 1.5	15.5	19	<b>WAL039844</b>	<b>WAL027929</b>
	400 (5801)	12	<b>M 12 L</b>	2.5	M 18 x 1.5	15.5	22	<b>WAL039845</b>	<b>WAL027930</b>
		15	<b>M 15 L</b>	4.0	M 22 x 1.5	17	27	<b>WAL039846</b>	<b>WAL027931</b>
		18	<b>M 18 L</b>	6.0	M 26 x 1.5	18	32	<b>WAL039847</b>	<b>WAL027932</b>
		22	<b>M 22 L</b>	8.0	M 30 x 2	20	36	<b>WAL039848</b>	<b>WAL027933</b>
250 (3626)	28	<b>M 28 L</b>	8.5	M 36 x 2	21	41	<b>WAL039849</b>	<b>WAL027934</b>	
	35	<b>M 35 L</b>	13.0	M 45 x 2	24	50	<b>WAL039850</b>	<b>WAL027935</b>	
S	800 (11603)	42	<b>M 42 L</b>	21.0	M 52 x 2	24	60	<b>WAL039851</b>	<b>WAL027936</b>
		6	<b>M 6 S</b>	1.5	M 14 x 1.5	16.5	17	<b>WAL039852</b>	<b>WAL028649</b>
		8	<b>M 8 S</b>	1.7	M 16 x 1.5	16.5	19	<b>WAL039853</b>	<b>WAL027937</b>
	630 (9137)	10	<b>M 10 S</b>	3.0	M 18 x 1.5	17.5	22	<b>WAL039854</b>	<b>WAL027938</b>
		12	<b>M 12 S</b>	3.5	M 20 x 1.5	17.5	24	<b>WAL039855</b>	<b>WAL027939</b>
		14	<b>M 14 S</b>	5.0	M 22 x 1.5	20.5	27	<b>WAL039856</b>	<b>WAL027940</b>
		16	<b>M 16 S</b>	6.0	M 24 x 1.5	20.5	30	<b>WAL039857</b>	<b>WAL027941</b>
	420 (6091)	20	<b>M 20 S</b>	9.5	M 30 x 2	24	36	<b>WAL039858</b>	<b>WAL027942</b>
		25	<b>M 25 S</b>	19.5	M 36 x 2	27	46	<b>WAL039859</b>	<b>WAL027943</b>
		30	<b>M 30 S</b>	21.5	M 42 x 2	29	50	<b>WAL039860</b>	<b>WAL027944</b>
		38	<b>M 38 S</b>	31.0	M 52 x 2	32.5	60	<b>WAL039861</b>	<b>WAL027945</b>

**⚠ Caution:** The pressure specifications refer to the steel version. For the stainless steel version (1.4571), please refer to the pressure specifications on page B5.

\*Silver-plated stainless steel nut (AG/AGP), see price list