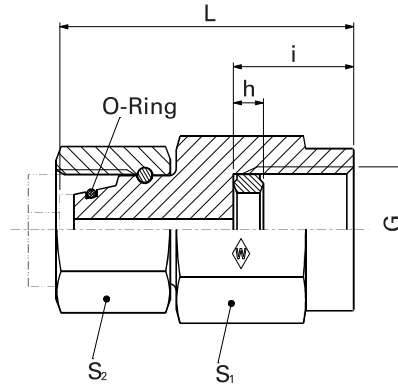


Adjustable gauge couplings

EMASD ...

EMASD ...-1.4571

- Inch thread
- with taper and O-ring made from NBR* (e.g. Perbunan)
- with taper and O-ring made from FKM (e.g. Viton) for stainless steel (1.4571)



H

Series	PN bar (psi)	Tube outer diameter	DIN-ISO 228 (R ..., DIN 259) G	Model	kg/ 100 pc.	L ₂	i	h	S ₁	S ₂	*O-ring	Stud EMASD ...	Stud Stainless steel (1.4571) EMASD ...- 1.4571	
												Art. no.	Art. no.	
L	500 (7252)	6	G 1/4	EMASD 6 LR	5.7	38	14.5	4.5	19	14	4.5x1.5	WAL605748	WAL615259	
		8	G 1/4	EMASD 8 LR	7.0	38	14.5	4.5	19	17	6x1.5	WAL066353	WAL617825	
		10	G 1/4	EMASD 10 LR	7.2	39.5	14.5	4.5	19	19	8.5x1.5	WAL605749	WAL617826	
S	400 (5801)	12	G 1/4	EMASD 12 LR	8.0	40.5	14.5	4.5	19	22	10x1.5	WAL605750	WAL614847	
		630 (9137)	6	G 1/2	EMASD 6 SR	11.5	45	20	5	27	17	4.5x1.5	WAL605751	WAL617827
			8	G 1/2	EMASD 8 SR	11.4	45	20	5	27	19	6x1.5	WAL605752	WAL615584
			10	G 1/2	EMASD 10 SR	13.4	47	20	5	27	22	8.5x1.5	WAL605753	WAL615441
		12	G 1/2	EMASD 12 SR	12.9	47.5	20	5	27	24	10x1.5	WAL066313	WAL617828	

⚠ Caution: The pressure specifications refer to the steel version. For the stainless steel version (1.4571), please refer to the pressure specifications on page B5.

L₂= approximate dimension if the union nut is tightened

**FPM (e.g. Viton) see price list / available on request