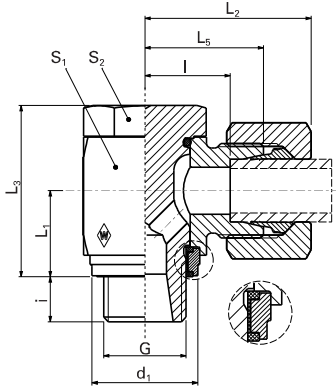


Banjo coupling elbow fittings

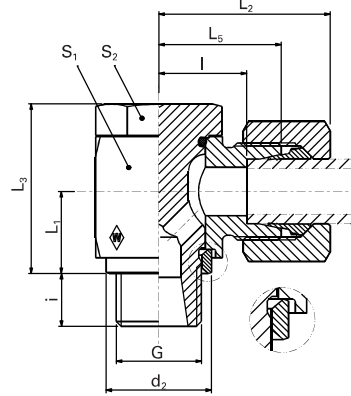
P-RSWV ... R-WD

- Inch studs type E to DIN EN ISO 1179-2
- with soft seal made from NBR** (e.g. Perbunan)



P-RSWV ... R

- Inch studs type B to DIN EN ISO 1179-4
- with metal-to-metal seal



P-RSWV with elastomer seal

P-RSWV with metal-to-metal seal

Series	PB bar (psi)	Tube outer diameter	DIN-ISO 228 (R... DIN 259) G	kg/100 pc.	L ₁	L ₂	L ₃	L ₅	l	i	d ₁ max.	d ₂	S ₁	S ₂	Model	Art. no.	Model	Art. no.
LL	100 (1450)	4	G 1/8 A	4.0	10	25.5	21	20	16	8			14.5	14			S-RSWV 4LLR	WAL607000
		6	G 1/8 A	4.2	10	26	21	20	14.5	8			14.5	14			S-RSWV 6LLR	WAL607001
		8	G 1/8 A	5.2	10	26	21	20	16	8			14.5	14			S-RSWV 8LLR	WAL607002
L	500 (7252)	6	G 1/8 A	5.9	10	27.5	21	20	13	8	14.9	13	14	14	P-RSWV 6LR-WD	WAL607051	P-RSWV 6LR	WAL607003
		6	G 1/4 A	5.9	13.5	29.5	27	22	15	10	18.9	17.8	19	19	P-RSWV 6L/R1/4-WD	WAL606501	P-RSWV 6L/R1/4	WAL606502
		8	G 1/4 A	9.3	13.5	28.5	27	21	14	10	18.9	17.8	19	19	P-RSWV 8LR-WD	WAL607052	P-RSWV 8LR	WAL607004
		10	G 1/4 A	10.2	13.5	29.5	27	22	15	10	18.9	17.8	19	19	P-RSWV 10LR-WD	WAL607053	P-RSWV 10LR	WAL607005
		12	G 1/4 A	15.8	15.5	29.5	30	22	15	10	18.9	17.8	22	19	P-RSWV 12L/R1/4-WD	WAL607054	P-RSWV 12L/R1/4	WAL607006
L	400 (5801)	12	G 3/8 A	15.9	16	32	32.5	24.5	17.5	10	21.9	22	24	22	P-RSWV 12LR-WD	WAL607055	P-RSWV 12LR	WAL607007
		15	G 1/2 A	28.4	19.5	36	43	28	21	14	26.9	26	30	27	P-RSWV 15LR-WD	WAL607056	P-RSWV 15LR	WAL607008
		18	G 1/2 A	32	21.5	36.5	43	28	20.5	12	26.9	26	30	27	P-RSWV 18LR-WD	WAL607057	P-RSWV 18LR	WAL607009
		22	G 3/4 A	48.5	24	43	48	34.5	27	16	32.9	32	36	32	P-RSWV 22LR-WD	WAL607058	P-RSWV 22LR	WAL607010
		28	G 1 A	88.2	30.5	48	59	39	31.5	18	39.9	39	46	41	P-RSWV 28LR-WD	WAL607059	P-RSWV 28LR	WAL607011
S	250 (3626)	35	G 1 1/4 A	150.8	35.5	57	70	46	35.5	20	49.9	49	55	50	P-RSWV 35LR-WD	WAL607060	P-RSWV 35LR	WAL607012
		42	G 1 1/2 A	234.1	40.5	62.5	80	51	40	22	55.9	55	65	55	P-RSWV 42LR-WD	WAL607061	P-RSWV 42LR	WAL607013
		6	G 1/4 A	8.7	13.5	30.5	27	23	16	10	18.9	17.8	19	19	P-RSWV 6SR-WD	WAL607062	P-RSWV 6SR	WAL607014
		8	G 1/4 A	10.3	13.5	30.5	27	23	16	10	18.9	17.8	19	19	P-RSWV 8SR-WD	WAL607063	P-RSWV 8SR	WAL607015
		10	G 3/8 A	17	16	34	32.5	25.5	18	10	21.9	22	24	22	P-RSWV 10SR-WD	WAL607064	P-RSWV 10SR	WAL607016
S	400 (5801)	12	G 3/8 A	17.9	16	34	32.5	25.5	18	10	21.9	22	24	22	P-RSWV 12SR-WD	WAL607065	P-RSWV 12SR	WAL607017
		14	G 1/2 A	30.3	19.5	39.5	41	30	22	12	26.9	26	30	27	P-RSWV 14SR-WD	WAL607066	P-RSWV 14SR	WAL607018
		16	G 1/2 A	31.6	21.5	39.5	43	30	21.5	12	26.9	26	30	27	P-RSWV 16SR-WD	WAL607067	P-RSWV 16SR	WAL607019
S	315 (4569)	20	G 3/4 A	51.8	24	47.5	48	36.5	26	16	32.9	32	36	32	P-RSWV 20SR-WD	WAL607068	P-RSWV 20SR	WAL607020
		25	G 1 A	103	30.5	55	59	43	31	18	39.9	39	46	41	P-RSWV 25SR-WD	WAL607069	P-RSWV 25SR	WAL607021
		30	G 1 1/4 A	163.7	35.5	63	70	50	36.5	20	49.9	49	55	50	P-RSWV 30SR-WD	WAL607070	P-RSWV 30SR	WAL607022
S	250 (3626)	38	G 1 1/2 A	262.7	40.5	71.5	80	57	41	22	55.9	55	65	55	P-RSWV 38SR-WD	WAL607071	P-RSWV 38SR	WAL607023

L₂ = approximate dimension if the union nut is tightened

*For FPM (e.g. Viton) see price list / available on request

For P-RSWV and RSWS in stainless steel (1.4571), see price list / available on request

Operating pressure

The specified operating pressure ratings (PB) are calculated with a minimum safety factor of 2.5 and represent the maximum permissible operating pressures under predominantly static load conditions and temperatures of up to +120 °C (in the case of steel). Strong pressure surges and mechanical stresses, such as vibrations, require special consideration.

If the version with metal-to-metal sealing edge is used for special applications (e.g. higher temperatures or aggressive media), the banjo bolt O-ring must be removed!

Special parts are available on request.