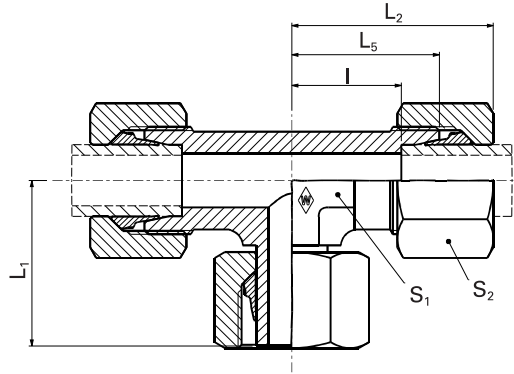


# Adjustable T fittings

## P-ETV ... -SV

### P-ETV ...SV-1.4571

- with pre-assembled standpipe



F

Series	PN bar (psi)	Tube outer diameter	Model	kg/ 100 pc.	L <sub>1</sub>	L <sub>2</sub>	L <sub>5</sub>	I	S <sub>1</sub>	S <sub>2</sub>	WALPRO	WALPRO	
											P-ETV ... -SV	Stainless steel (1.4571) P-ETV ... -SV 1.4571*	
												Art. no.	Art. no.
L	500 (7252)	6	<b>P-ETV 6 L-SV</b>	5.3	26	27	19	12	12	14	<b>WAL373676</b>	<b>WAL620329</b>	
		8	<b>P-ETV 8 L-SV</b>	7.4	27.5	29	21	14	12	17	<b>WAL373677</b>	<b>WAL620341</b>	
		10	<b>P-ETV 10 L-SV</b>	10.4	29	30	22	15	14	19	<b>WAL373678</b>	<b>WAL620436</b>	
	400 (5801)	12	<b>P-ETV 12 L-SV</b>	13.1	29.5	32	24	17	17	22	<b>WAL373679</b>	<b>WAL620486</b>	
		15	<b>P-ETV 15 L-SV</b>	21.9	32.5	36	28	21	19	27	<b>WAL373680</b>	<b>WAL620512</b>	
		18	<b>P-ETV 18 L-SV</b>	32.5	35.5	40	31	23.5	24	32	<b>WAL373681</b>	<b>WAL620686</b>	
250 (3626)	22	<b>P-ETV 22 L-SV</b>	43.3	38.5	44	35	27.5	27	36	<b>WAL373682</b>	<b>WAL620687</b>		
	28	<b>P-ETV 28 L-SV</b>	57.4	41.5	47	38	30.5	36	41	<b>WAL373683</b>	<b>WAL620688</b>		
S	800 (11603)	6	<b>P-ETV 6 S-SV</b>	8.6	27	31	23	16	12	17	<b>WAL373686</b>	<b>WAL620689</b>	
		8	<b>P-ETV 8 S-SV</b>	10.7	27.5	32	24	17	14	19	<b>WAL373687</b>	<b>WAL621096</b>	
		10	<b>P-ETV 10 S-SV</b>	16.6	30	34	25	17.5	17	22	<b>WAL373688</b>	<b>WAL620690</b>	
	630 (9137)	12	<b>P-ETV 12 S-SV</b>	20.4	31	38	29	21.5	17	24	<b>WAL373689</b>	<b>WAL620419</b>	
		14	<b>P-ETV 14 S-SV</b>	27.6	35	40	30	22	19	27	<b>WAL373690</b>		
		16	<b>P-ETV 16 S-SV</b>	35.6	36.5	43	33	24.5	24	30	<b>WAL373691</b>	<b>WAL620691</b>	

**⚠ Caution:** The pressure specifications refer to the steel version. For the stainless steel version (1.4571), please refer to the pressure specifications on page B5.

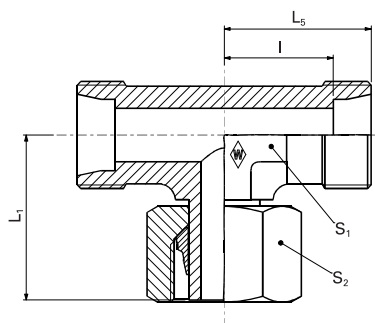
\*Complete stainless steel fittings (1.4571) with silver-plated nut (AG/AGP), see price list

L<sub>2</sub>= approximate dimension if the union nut is tightened

Special parts are available on request.

## P-ETS ... -SV

## P-ETS ... -SV-1.4571



F

System nuts for supplementing the stud  
(for technical data, see part D of this catalog)

Series	PN bar (psi)	Tube outer diameter	Model	kg/ 100 pc.	Art. no.	Stud	System nuts for supplementing the stud		
						P-ETS ... -SV	Stainless steel (1.4571) P-ETS ... -SV VI -1.4571	WALRING W-R ... VI	WALFORM WF-M ... VI
L	500 (7252)	6	P-ETS 6 L-SV	3.5	WAL602686	WAL621235	WAL624607	WAL625940	WAL625980
		8	P-ETS 8 L-SV	5	WAL374929	WAL621236	WAL624608	WAL625941	WAL625981
		10	P-ETS 10 L-SV	6.5	WAL602662	WAL620654	WAL624609	WAL625942	WAL625982
	400 (5801)	12	P-ETS 12 L-SV	8.5	WAL602431	WAL620333	WAL624610	WAL625943	WAL625983
		15	P-ETS 15 L-SV	15	WAL602597	WAL621237	WAL624611	WAL625944	WAL625984
		18	P-ETS 18 L-SV	19	WAL602687	WAL621238	WAL624612	WAL625945	WAL625985
	250 (3626)	22	P-ETS 22 L-SV	28	WAL602688	WAL621239	WAL624613	WAL625946	WAL625986
		28	P-ETS 28 L-SV	42.5	WAL374930	WAL621240	WAL624614	WAL625947	WAL625987
S	800 (11603)	6	P-ETS 6 S-SV	5.3	WAL604060	WAL621243	WAL624617	WAL625950	WAL625990
		8	P-ETS 8 S-SV	7.5	WAL602689	WAL621244	WAL624618	WAL625951	WAL625991
		10	P-ETS 10 S-SV	10.2	WAL602912	WAL621245	WAL624619	WAL625952	WAL625992
	630 (9137)	12	P-ETS 12 S-SV	13.5	WAL602907	WAL621246	WAL624620	WAL625953	WAL625993
		14	P-ETS 14 S-SV	17	WAL615559	WAL621247			
		16	P-ETS 16 S-SV	24	WAL604098	WAL621248	WAL624621	WAL625954	WAL625994

**⚠ Caution:** The pressure specifications refer to the steel version. For the stainless steel version (1.4571), please refer to the pressure specifications on page B5.

Special parts are available on request.