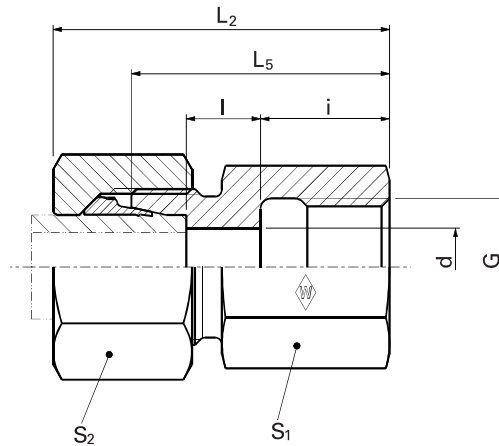


Straight female fittings

P-GAV ... R

P-GAV ... R-1.4571

- Inch thread



H

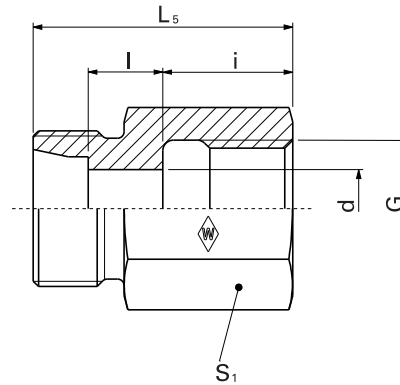
Series	PN bar (psi)	Tube outer diameter G	DIN-ISO 228 (R ..., DIN 259) G	Model	kg/100 pc.	L ₂	L ₅	l	i	d	S ₁	S ₂	Art. no.	Art. no.
L	250 (3626)	6	G 1/8	P-GAV 6 LR	2.0	34	26	7	12	4	14	14	WAL374305	WAL621217
		8	G 1/4	P-GAV 8 LR	4.0	39	31	7	17	6	19	17	WAL374306	WAL620364
		10	G 1/4	P-GAV 10 LR	4.5	40	32	8	17	8	19	19	WAL374307	WAL620241
	400 (5801)	12	G 1/4	P-GAV 12 LR 1/4	5.3	40	32	8	17	8	19	22	WAL374308	WAL620365
	250 (3626)	12	G 3/8	P-GAV 12 LR	6.0	41	33	9	17	10	24	22	WAL374309	WAL620284
	160 (2321)	15	G 1/2	P-GAV 15 LR	10.5	46	38	11	20	12	30	27	WAL374310	WAL620201
		18	G 1/2	P-GAV 18 LR	12.5	47	38	10.5	20	15	27	32	WAL374311	WAL620278
		22	G 3/4	P-GAV 22 LR	17.5	52	43	13.5	22	19	36	36	WAL374312	WAL620219
		28	G 1	P-GAV 28 LR	25.5	55	45.5	13.5	24.5	24	41	41	WAL374313	WAL620281
	100 (1450)	35	G 1 1/4	P-GAV 35 LR	42.0	63	51.5	14.5	26.5	30	55	50	WAL374314	WAL620494
42		G 1 1/2	P-GAV 42 LR	43.5	65	53.5	14	28.5	36	60	60	WAL374315	WAL620722	
S	630 (9137)	6	G 1/4	P-GAV 6 SR	4.0	41	33	9	17	4	19	17	WAL374316	WAL620000
		8	G 1/4	P-GAV 8 SR	5.0	41	33	9	17	5	19	19	WAL374317	WAL620308
		10	G 3/8	P-GAV 10 SR	8.5	43	34	9.5	17	7	24	22	WAL374318	WAL620233
		12	G 3/8	P-GAV 12 SR	9.0	43	34	9.5	17	8	24	24	WAL374319	WAL620309
		14	G 1/2	P-GAV 14 SR	12.5	50	40	12	20	10	27	27	WAL374320	WAL620531
	400 (5801)	16	G 1/2	P-GAV 16 SR	14.0	50	40	11.5	20	12	30	30	WAL374321	WAL620293
		20	G 3/4	P-GAV 20 SR	24.0	56	45	12.5	22	16	36	36	WAL374322	WAL620323
		25	G 1	P-GAV 25 SR	46	62	49.5	13	24.5	20	41	46	WAL374323	WAL620342
	250 (3626)	30	G 1 1/4	P-GAV 30 SR	54.5	69	55.5	15.5	26.5	25	55	50	WAL374324	WAL620723
		38	G 1 1/2	P-GAV 38 SR	86.0	74	59.5	15	28.5	32	60	60	WAL374325	WAL620724

WALPRO
P-GAV ... R
WALPRO
Stainless steel
(1.4571)
P-GAV ...
-1.4571*

⚠ Caution: The pressure specifications refer to the steel version. For the stainless steel version (1.4571), please refer to the pressure specifications on page B5.
*For complete stainless steel fittings (1.4571) with silver-plated nut (AG/AGP), see price lists
L₂= approximate dimension if the union nut is tightened

GAS ... R

GAS ... R-1.4571



H

System nuts for supplementing the stud
(for technical data, see part D of this catalog)

Series	PN bar (psi)	Tube outer diameter	G	Model	kg/ 100 pc.	Stud GAS ... R Art. no.	Stud Stainless steel (1.4571) GAS ... R-1.4571* Art. no.	WALRING W-R ... VI Art. no.	WALFORM WF-M ... VI Art. no.	WALFORM stainless steel WF-M ... VI-1.4571* Art. no.
L	250 (3626)	6	G 1/8	GAS 6 LR	1.9	WAL038084	WAL061994	WAL624607	WAL625940	WAL625980
		8	G 1/4	GAS 8 LR	3.8	WAL038085	WAL060717	WAL624608	WAL625941	WAL625981
		10	G 1/4	GAS 10 LR	3.9	WAL038086	WAL065914	WAL624609	WAL625942	WAL625982
	400 (5801)	12	G 1/4	GAS 12 LR 1/4	4.4	WAL038087	WAL065915	WAL624610	WAL625943	WAL625983
	250 (3626)	12	G 3/8	GAS 12 LR	6.2	WAL038088	WAL060759	WAL624610	WAL625943	WAL625983
		15	G 1/2	GAS 15 LR	8.6	WAL038089	WAL065916	WAL624611	WAL625944	WAL625984
	160 (2321)	18	G 1/2	GAS 18 LR	8.9	WAL038090	WAL063099	WAL624612	WAL625945	WAL625985
		22	G 3/4	GAS 22 LR	8.9	WAL038091	WAL065917	WAL624613	WAL625946	WAL625986
		28	G 1	GAS 28 LR	20.9	WAL038092	WAL065918	WAL624614	WAL625947	WAL625987
	100 (1450)	35	G 1 1/4	GAS 35 LR	46.3	WAL038093	WAL065919	WAL624615	WAL625948	WAL625988
	42	G 1 1/2	GAS 42 LR	52.8	WAL038094	WAL065920	WAL624616	WAL625949	WAL625989	
S	630 (9137)	6	G 1/4	GAS 6 SR	4.2	WAL038095	WAL024001	WAL624617	WAL625950	WAL625990
		8	G 1/4	GAS 8 SR	4.4	WAL038096	WAL065921	WAL624618	WAL625951	WAL625991
		10	G 3/8	GAS 10 SR	6.9	WAL038097	WAL061840	WAL624619	WAL625952	WAL625992
		12	G 3/8	GAS 12 SR	7.2	WAL038098	WAL024535	WAL624620	WAL625953	WAL625993
		14	G 1/2	GAS 14 SR	9.7	WAL038099	WAL065922			
	400 (5801)	16	G 1/2	GAS 16 SR	9.4	WAL038100	WAL061007	WAL624621	WAL625954	WAL625994
		20	G 3/4	GAS 20 SR	19.3	WAL038101	WAL065923	WAL624622	WAL625955	WAL625995
		25	G 1	GAS 25 SR	24.2	WAL038102	WAL065924	WAL624623	WAL625956	WAL625996
	250 (3626)	30	G 1 1/4	GAS 30 SR	50.1	WAL038103	WAL065925	WAL624624	WAL625957	WAL625997
		38	G 1 1/2	GAS 38 SR	58.4	WAL038104	WAL065926	WAL624625	WAL625958	WAL625998

⚠ Caution: The pressure specifications refer to the steel version. For the stainless steel version (1.4571), please refer to the pressure specifications on page B5.