

Straight male fittings

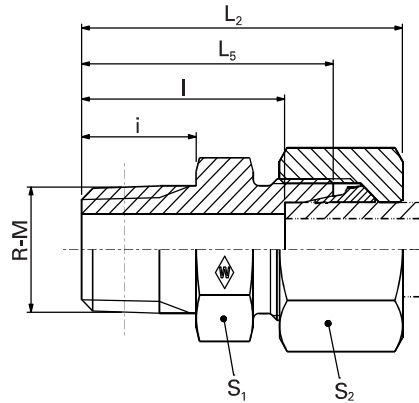
P-GEV ... RK

P-GEV ... RK-1.4571

P-GEV ... MK

P-GEV ... MK-1.4571

- Tapered studs, type C according to DIN 3852-2, with Whitworth thread
- Tapered studs, type C according to DIN 3852-1, with metric thread



E

Series	PN bar (psi)	Tube outer diameter	Model	kg/100 pc.	R-M	L ₂	L ₅	l	i	S ₁	S ₂	Art. no.	Art. no.
LL	100 (1450)	4	S-GEV 4 LLRK	1.4	R 1/8 taper	25.5	20	16	8	10	10	WAL038218	WAL604569
		6	S-GEV 6 LLRK	1.6	R 1/8 taper	26.0	20	14.5	8	11	12	WAL038220	WAL060989
		8	S-GEV 8 LLRK	1.8	R 1/8 taper	28.0	22	16.5	8	12	14	WAL038221	WAL370813
L	250 (3626)	6	P-GEV 6 L/R 1/4 K	3.4	R 1/4 taper	34.5	27	20	12	14	14	WAL373003	WAL620527
		8	P-GEV 8 LRK	3.7	R 1/4 taper	34.5	27	20	12	14	17	WAL373004	WAL620492
		8	P-GEV 8 L/R 3/8 K	4.9	R 3/8 taper	34.5	27	20	12	17	17	WAL373005	WAL620539
		10	P-GEV 10 LRK	4.8	R 1/4 taper	35.5	28	21	12	17	19	WAL373006	WAL620131
		10	P-GEV 10 L/R 3/8 K	5.4	R 3/8 taper	35.5	28	21	12	17	19	WAL373007	WAL620132
		12	P-GEV 12 L/R 1/4 K	5.7	R 1/4 taper	36.5	29	22	12	19	22	WAL373008	WAL620350
		12	P-GEV 12 LRK	6.1	R 3/8 taper	36.5	29	22	12	19	22	WAL373009	WAL620354
		12	P-GEV 12 L/R 1/2 K	7.8	R 1/2 taper	38.5	31	24	14	22	22	WAL373010	WAL620553
		15	P-GEV 15 LRK	10.2	R 1/2 taper	40.0	32	25	14	24	27	WAL373011	WAL620357
LL	100 (1450)	4	S-GEV 4 LLMK	1.4	M 8 x 1 taper	25.5	20	16	8	10	10	WAL038230	WAL617077
		6	S-GEV 6 LLMK	1.6	M 10 x 1 taper	26.0	20	14.5	8	11	12	WAL038232	WAL616303
		8	S-GEV 8 LLMK	1.8	M 10 x 1 taper	28.0	22	16.5	8	12	14	WAL038233	WAL616304
L	250 (3626)	8	P-GEV 8 LMK	3.5	M 12 x 1.5 taper	34.5	27	20	12	14	17	WAL373016	WAL620514
		10	P-GEV 10 LMK	4.7	M 14 x 1.5 taper	35.5	28	21	12	17	19	WAL373018	WAL621151
		10	P-GEV 10 L/M 16 x 1.5 K	5.1	M 16 x 1.5 taper	35.5	28	21	12	17	19	WAL373019	WAL620859
		12	P-GEV 12 LMK	5.9	M 16 x 1.5 taper	36.5	29	22	12	19	22	WAL373020	WAL620916
		12	P-GEV 12 L/M 18 x 1.5 K	6.5	M 18 x 1.5 taper	36.5	29	22	12	19	22	WAL373021	WAL620917

⚠ Caution: The pressure specifications refer to the steel version. For the stainless steel version (1.4571), please refer to the pressure specifications on page B5.
 *Complete stainless steel fittings (1.4571) with silver-plated nut (AG/AGP), see price list
 L₂= approximate dimension if the union nut is tightened

Special parts are available on request.