

CODICE

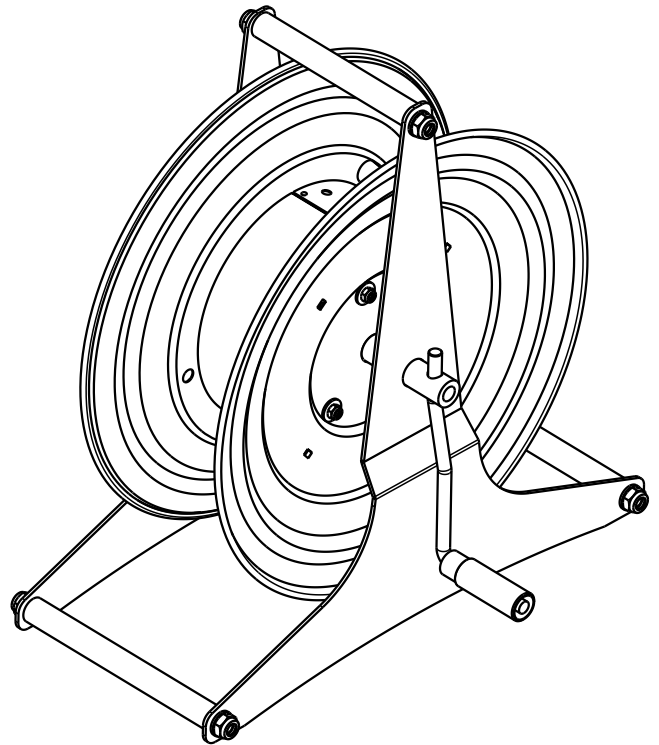
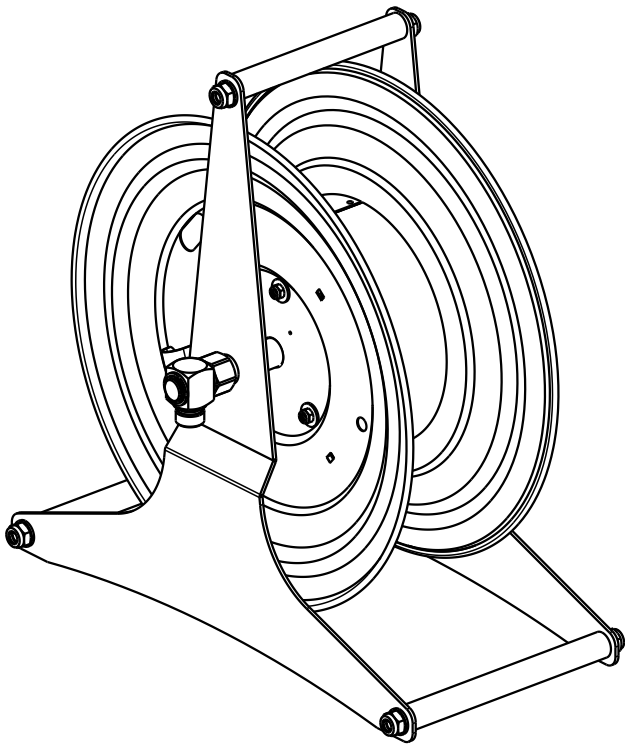
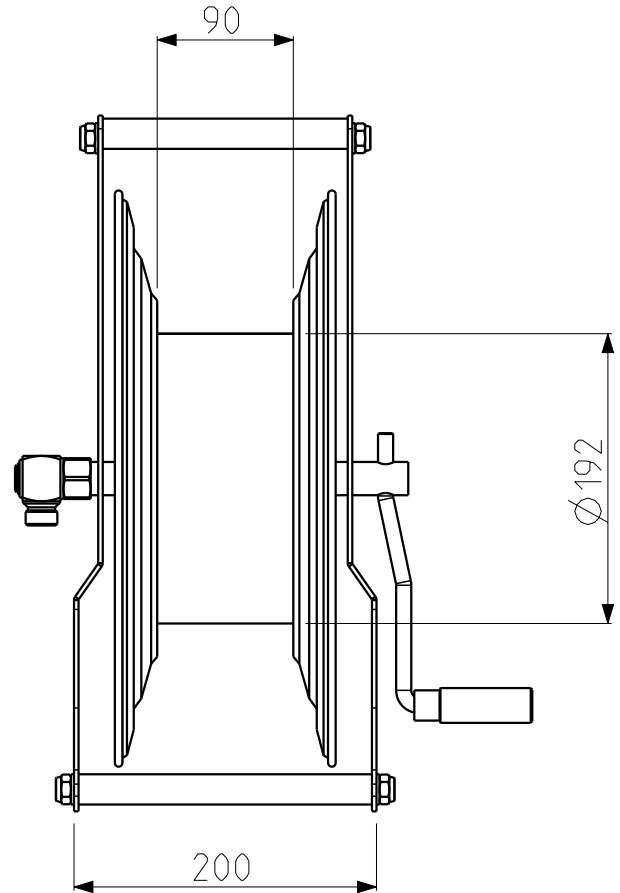
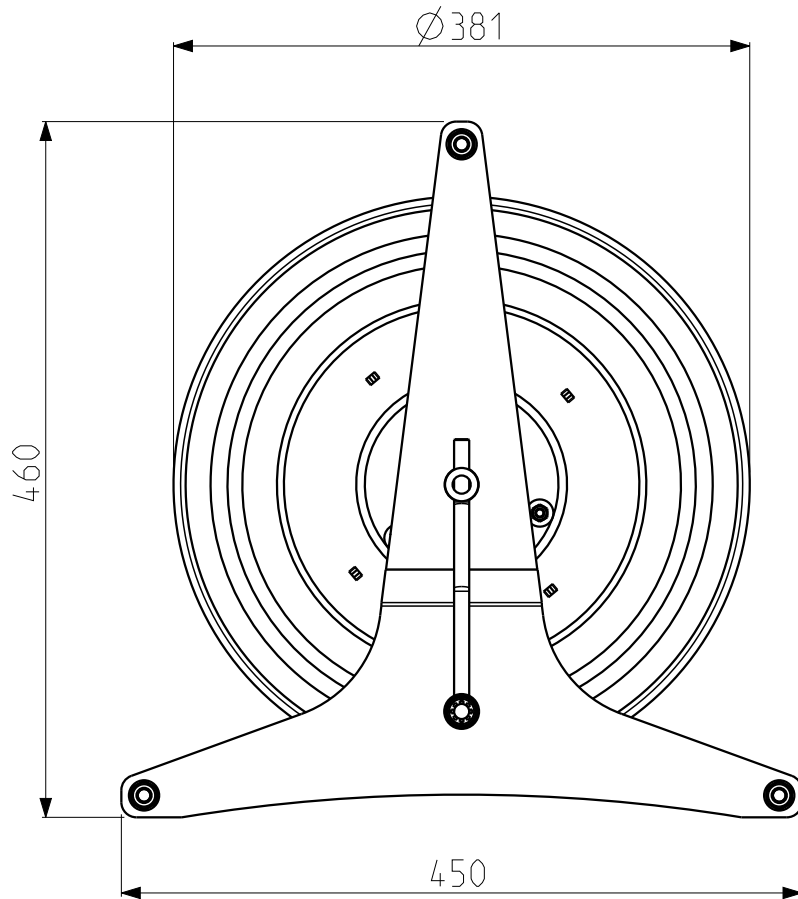
REV.

DESCRIZIONE

MV-00953

A

AVVOLGITUBO TRASPORTABILE



GENERAL MATERIAL

CAPACITY

WORKING PRESSURE

INLET CONNECTION

OUTPUT CONNECTION

MOVEMENT

WEIGHT

POLYESTER POWDER  
COATED CARBON STEEL

40m  
ODmax 10.5mm  
(1/8")

250 BAR

M. BSPP 1/2"

F. BSPP 1/4"

MANUAL

± 6Kg