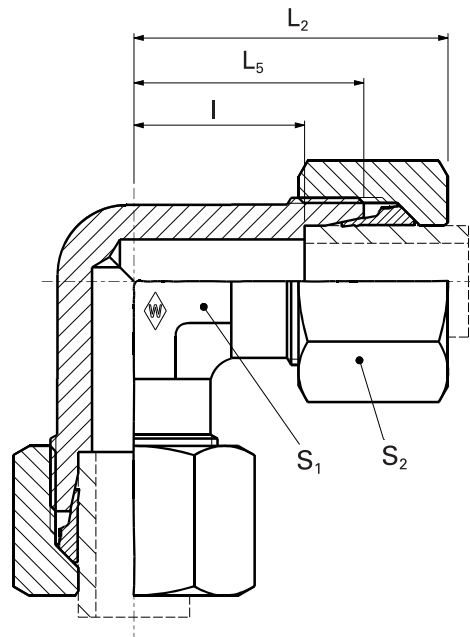


Elbow fittings

P-WV ...

P-WV ... -1.4571



E

Series	PN bar (psi)	Tube outer diameter	Model	kg/ 100 pc.	WALPRO P-WV ...					WALPRO stainless steel P-WV ...-1.4571*	
					L ₂	L ₅	I	S ₁	S ₂	Art. no.	Art. no.
LL	100 (1450)	4	S-WV 4 LL	2.5	21	15	11	9	10	WAL038576	WAL604071
		6	S-WV 6 LL	2.7	21	15	9.5	9	12	WAL038578	WAL061566
		8	S-WV 8 LL	3.8	23	17	11.5	12	14	WAL038579	WAL065336
L	500 (7252)	6	P-WV 6 L	4.9	27	19	12	12	14	WAL373385	WAL620074
		8	P-WV 8 L	7.6	29	21	14	12	17	WAL373386	WAL620075
		10	P-WV 10 L	9.6	30	22	15	14	19	WAL373387	WAL620076
		12	P-WV 12 L	13.5	32	24	17	17	22	WAL373388	WAL620077
	400 (5801)	15	P-WV 15 L	15.8	36	28	21	19	27	WAL373389	WAL620078
		18	P-WV 18 L	23.9	40	31	23.5	24	32	WAL373390	WAL620079
		22	P-WV 22 L	31.7	44	35	27.5	27	36	WAL373391	WAL620080
	250 (3626)	28	P-WV 28 L	42.0	47	38	30.5	36	41	WAL373392	WAL620081
		35	P-WV 35 L	75.9	56	45	34.5	41	50	WAL373393	WAL620082
		42	P-WV 42 L	107.8	63	51	40	50	60	WAL373394	WAL620083
S	800 (11603)	6	P-WV 6 S	8.5	31	23	16	12	17	WAL373395	WAL620084
		8	P-WV 8 S	11.7	32	24	17	14	19	WAL373396	WAL620085
		10	P-WV 10 S	16.1	34	25	17.5	17	22	WAL373397	WAL620086
	630 (9137)	12	P-WV 12 S	20.5	38	29	21.5	17	24	WAL373398	WAL620087
		14	P-WV 14 S	20.7	40	30	22	19	27	WAL373399	WAL621652
		16	P-WV 16 S	25.0	43	33	24.5	24	30	WAL373400	WAL620088
	420 (6091)	20	P-WV 20 S	40.7	48	37	26.5	27	36	WAL373401	WAL620089
		25	P-WV 25 S	77.6	54	42	30	36	46	WAL373402	WAL620090
		30	P-WV 30 S	97.4	62	49	35.5	41	50	WAL373403	WAL620091
		38	P-WV 38 S	131.8	72	57	41	50	60	WAL373404	WAL620092

⚠ Caution: The pressure specifications refer to the steel version. For the stainless steel version (1.4571), please refer to the pressure specifications on page B5.

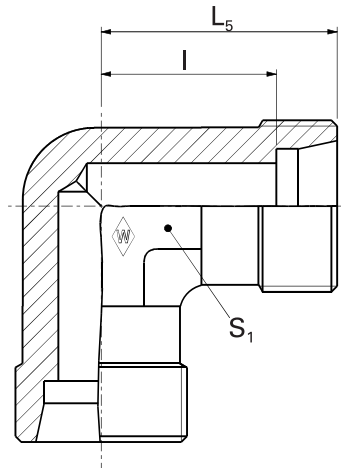
*Complete stainless steel fittings (1.4571) with silver-plated nut (AG/AGP), see price list

L₂= approximate dimension if the union nut is tightened

Special parts are available on request.

WS ...

WS ... -1.4571



E

System nuts for supplementing the stud
(for technical data, see part D of this catalog)

Series	PN bar (psi)	Tube outer diameter	Model	kg/ 100 pc.	Stud	Stud	WALRING	WALFORM	WALFORM
					WS ...	Stainless steel WS ... -1.4571*	W-R ... VI	WF-M ... VI	stainless steel WF-M ... VI-1.4571*
					Art. no.	Art. no.	Art. no.	Art. no.	Art. no.
LL	100 (1450)	4	WS 4 LL	1.2	WAL037863	WAL604070			
		6	WS 6 LL	1.4	WAL037865	WAL061567			
		8	WS 8 LL	2.2	WAL037866	WAL065337			
L	500 (7252)	6	WS 6 L	2.8	WAL037867	WAL025576	WAL624607	WAL625940	WAL625980
		8	WS 8 L	4.1	WAL037868	WAL025577	WAL624608	WAL625941	WAL625981
		10	WS 10 L	5.7	WAL037869	WAL025578	WAL624609	WAL625942	WAL625982
	400 (5801)	12	WS 12 L	8	WAL037870	WAL025579	WAL624610	WAL625943	WAL625983
		15	WS 15 L	7.5	WAL037871	WAL025580	WAL624611	WAL625944	WAL625984
		18	WS 18 L	11.2	WAL037872	WAL025581	WAL624612	WAL625945	WAL625985
		22	WS 22 L	14.9	WAL037873	WAL025582	WAL624613	WAL625946	WAL625986
	250 (3626)	28	WS 28 L	25.2	WAL037874	WAL025583	WAL624614	WAL625947	WAL625987
		35	WS 35 L	46.5	WAL037875	WAL025584	WAL624615	WAL625948	WAL625988
		42	WS 42 L	61.6	WAL037876	WAL025585	WAL624616	WAL625949	WAL625989
6		WS 6 S	9.4	WAL037877	WAL025586	WAL624617	WAL625950	WAL625990	
S	800 (11603)	8	WS 8 S	7.2	WAL037878	WAL025587	WAL624618	WAL625951	WAL625991
		10	WS 10 S	9.7	WAL037879	WAL025588	WAL624619	WAL625952	WAL625992
		12	WS 12 S	13.6	WAL037880	WAL025589	WAL624620	WAL625953	WAL625993
	630 (9137)	14	WS 14 S	9.8	WAL037881	WAL025590			
		16	WS 16 S	14.4	WAL037882	WAL025591	WAL624621	WAL625954	WAL625994
		20	WS 20 S	20	WAL037883	WAL025592	WAL624622	WAL625955	WAL625995
	420 (6091)	25	WS 25 S	36.5	WAL037884	WAL025593	WAL624623	WAL625956	WAL625996
		30	WS 30 S	46.5	WAL037885	WAL025594	WAL624624	WAL625957	WAL625997
		38	WS 38 S	66	WAL037886	WAL025595	WAL624625	WAL625958	WAL625998

⚠ Caution: The pressure specifications refer to the steel version. For the stainless steel version (1.4571), please refer to the pressure specifications on page B5.

Special parts are available on request.